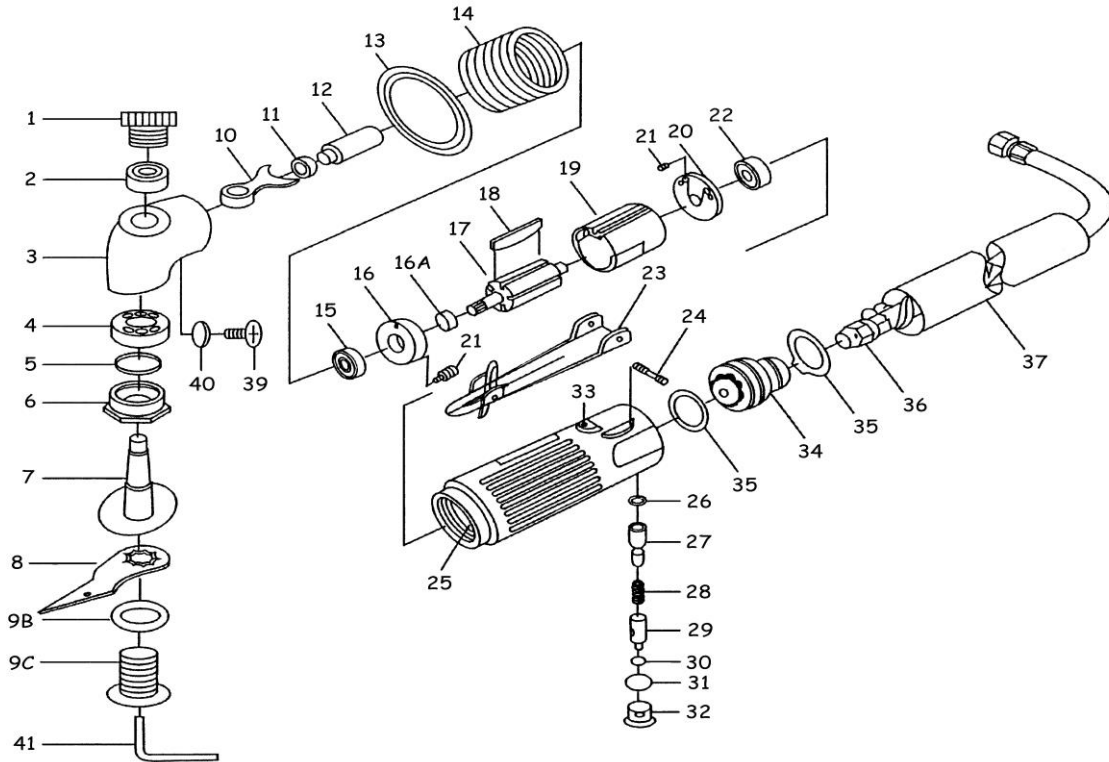


Multisnijder - Multischneider - Multicutter - Couteau pare-brise



| ITEM NO. | DESCRIPTION |
|----------|-----------------|
| 1 | PLUG |
| 2 | BALL BEARING |
| 3 | HEAD |
| 4 | BALL BEARING |
| 5 | SEAL OIL |
| 6 | NUT CLAMP |
| 7 | SPINDLE DRIVE |
| 8 | BLADE 57mm |
| 9B | RETAINER |
| 9C | SCREW |
| 10 | FORK DRIVE |
| 11 | BALL BEARING |
| 12 | SHAFT CRANK |
| 13 | NUT |
| 14 | RETAINER |
| 15 | BALL BEARING |
| 16 | FRONT PLATE |
| 16A | WASHER |
| 17 | ROTOR |
| 18 | ROTOR BLADE (4) |
| 19 | CYLINDER |
| 20 | END PLATE |
| 21 | PIN (3) |

| ITEM NO. | DESCRIPTION |
|----------|-----------------------|
| 22 | BALL BEARING |
| 23 | THROTTLE LEVER |
| 24 | LEVER PIN |
| 25 | HOUSING |
| 26 | O-RING |
| 27 | VALVE STEM |
| 27A | O-RING |
| 28 | VALVE SPRING |
| 29 | AIR REGULATOR |
| 30 | O-RING |
| 31 | O-RING |
| 32 | THROTTLE VALVE PLUG |
| 33 | VALVE BUSHING |
| 34 | THROTTLE ARBOR |
| 35 | STOP RING |
| 36 | AIR HOSE ASS'Y 1/4 |
| 36A | SPONGE |
| 37 | EXHAUST HOSE |
| 38 | PACKING |
| 39 | SCREW |
| 40 | O-RING |
| 41 | HATTAGON WRENCH KEY 5 |