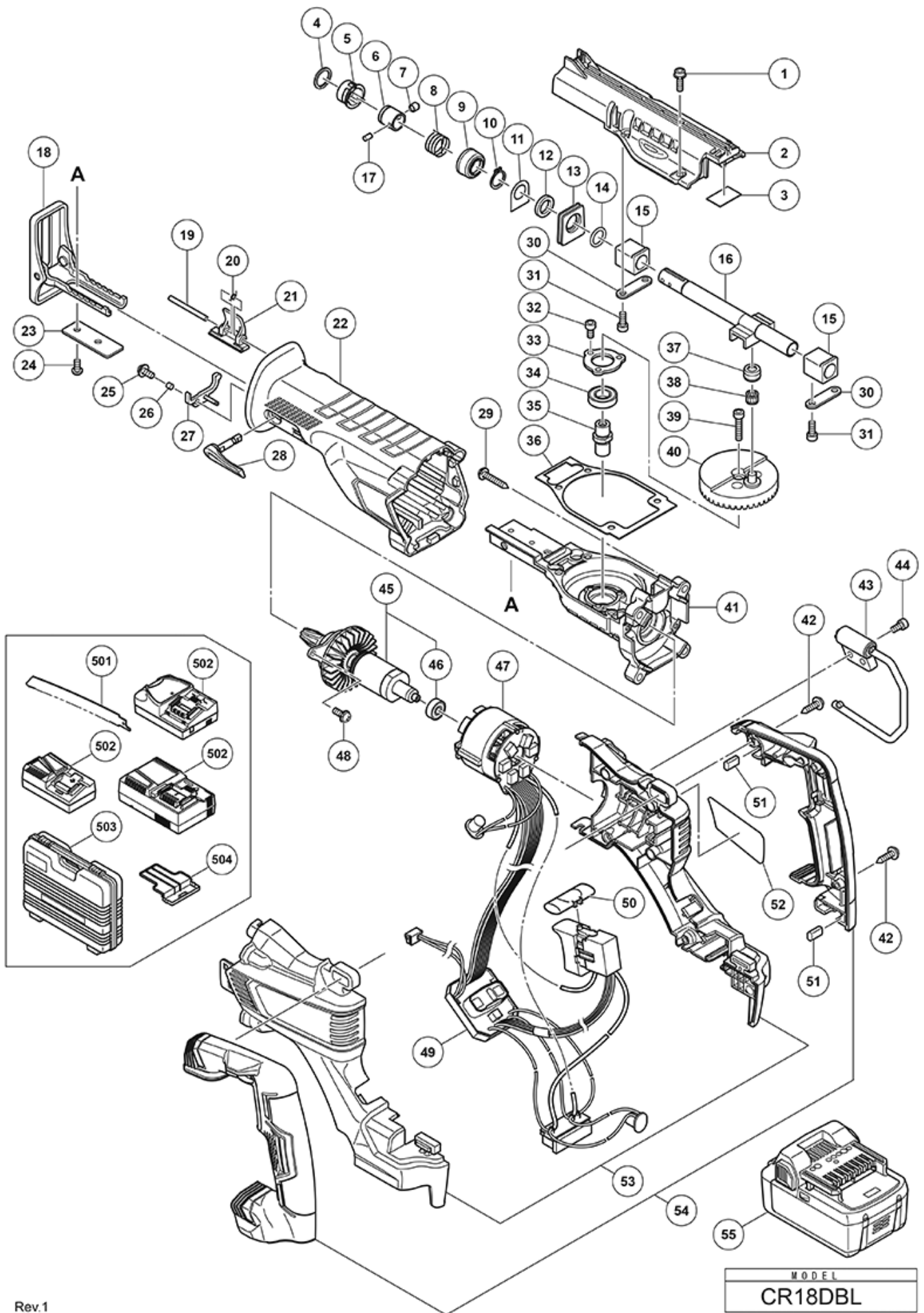


nÂ°	Artikel	Aantal gebruikt
*502	CHARGER (MODEL UC 18YML2)	1
*55	338891 BATTERY BSL 1860 (EUROPE.AUS.NZL)	2
*502	CHARGER (MODEL UC 18YSL3)	1
*502	CHARGER (MODEL UC 18YFSL)	1
*55	335790 BATTERY BSL 1850 (EUROPE,AUS,NZL)	2
*501	371902 CURVED BLADES NO.158 200L P.8 (3 PCS.)	1
*501	370683 CURVED BLADES NO.141(S)150L P.14(3 PCS) (NEW 752043)	1
1	305574 HEX.SOCKET HD.BOLT M5X16	4
2	371365 UPPER COVER NEW	1
3	319874 PACKING (B)	1
4	371368 SPIRAL RETAINING RING D16 NEW	1
5	371376 BLADE HOLDER NEW	1
6	371381 SLEEVE NEW	1
7	371378 HOLDER PIN NEW	1
8	371379 BLADE SPRING NEW	1
9	371377 BLADE HOLDER COVER NEW	1
10	371367 RETAINING RING FOR D13 SHAFT NEW	1
11	371371 PACKING WASHER NEW	1
12	371370 FELT PACKING NEW	1
13	371363 SEAL SLEEVE NEW	1
14	371369 O-RING NEW	1
15	371362 METAL (B) NEW	2
16	371366 PLUNGER (A) NEW	1
17	371380 PIN NEW	1
18	371382 BASE NEW	1
19	371374 BLADE LEVER SHAFT NEW	1
20	371375 BLADE LEVER SPRING NEW	1
21	371373 BLADE LEVER NEW	1
22	371386 FRONT COVER NEW	1
23	371383 BASE PLATE NEW	1
24	332662 HEX. SOCKET BOLT M5X12 NEW	2
25	949216 MACHINE SCREW M4X10 (10 PCS) (OLD 949216Z)	1
26	371929 DISTANCE PIECE NEW	1
27	371385 FRONT PLATE (A) NEW	1
28	371384 BASE LEVER NEW	1
29	986011 TAPPING SCREW D5X30 (W/SP.WASHER)	4
30	371364 HOLDER COVER (B) NEW	2
31	371989 SEAL LOCK HEX.SOCKET HD. BOLT M5X14 NEW	4

nÂ°	Artikel	Aantal gebruikt
32	371990 SEAL LOCK HEX.SOCKET HD. BOLT M4X12 NEW	3
33	371360 BEARING COVER (B) NEW	1
34	6901VV BALL BEARING 6901VVCMP2L	1
35	371359 SPINDLE NEW	1
36	371372 SEAL PACKING (A) NEW	1
37	983541 CONNECTING PIECE (A) (OLD 983566)	1
38	324470 NEEDLE ROLLER H-7108 (OLD 983560)	1
39	371991 SEAL LOCK HEX.SOCKET HD. BOLT M6X20 NEW	1
40	371361 GEAR NEW	1
41	371358 GEAR COVER NEW	1
42	339250 TAPPING SCREW D4X20 (W/FLANGE) NEW	10
43	371387 HOOK NEW	1
44	371992 SEAL LOCK HEX.SOCKET HD. BOLT M5X10 NEW	2
45	361062 ROTOR ASS'Y NEW	1
46	606ZZM BALL BEARING 606ZZMC3PS2S	1
47	340968 STATOR FET PCB NEW	1
48	951039 MACHINE SCREW (W/SP.WASHER) M4X12	2
49	371357 CONTROLLER TERMINAL SET NEW	1
50	319760 PUSHING BUTTON	1
51	371356 HANDLE DAMPER NEW	4
52	NAME PLATE	1
53	371994 HOUSING SET NEW	1
54	371995 HANDLE SET NEW	1
503	371355 PLASTIC CARRYING CASE NEW	1



Rev.1