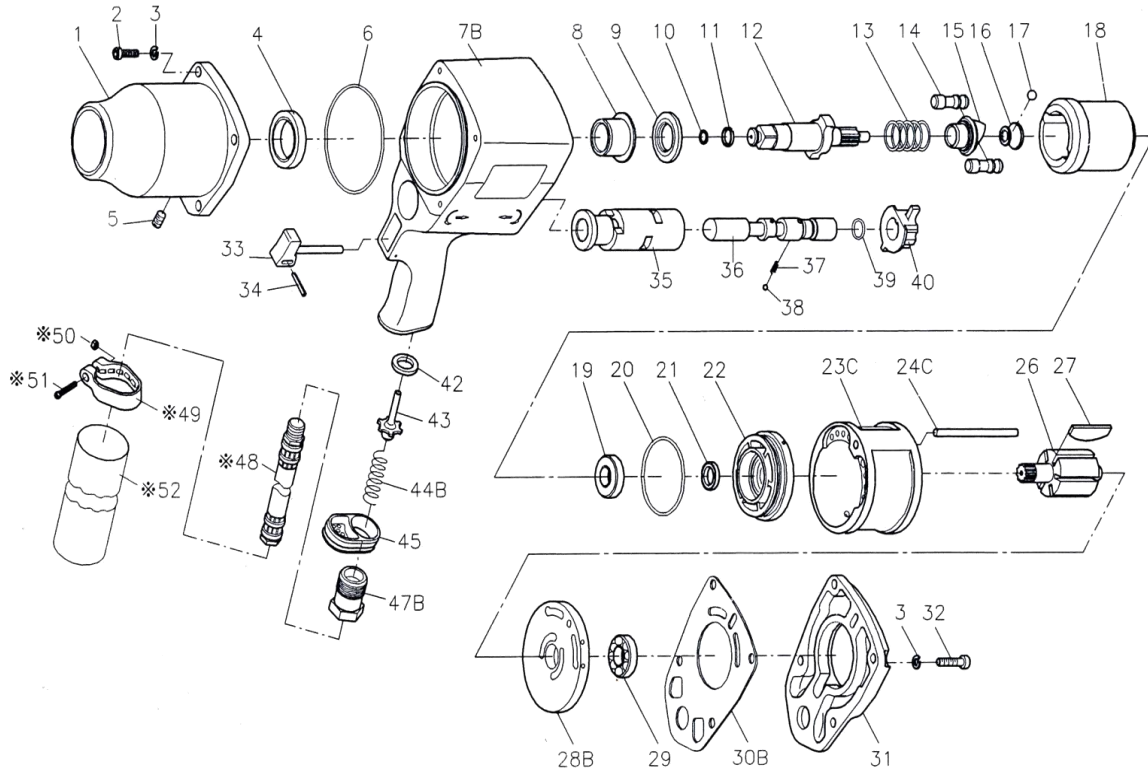


3/4" Slagmoersleutel - Schlagschrauber - Impact wrench - Boulonnoise



ITEM NO.	DESCRIPTION
1	HAMMER CASE
2	CAP SCREW (4)
3	SPRING WASHER (8)
4	OIL SEAL
5	PLUG
6	O RING
7B	MOTOR HOUSING
8	BUSHING
9	SPACER
10	O RING
11	ANVIL COLLAR
12	2" ANVIL
12-1	6" ANVIL - LONG
13	SPRING
14	HAMMER PIN (2)
15	CAM
16	CAM FOUNDATION
17	STEEL BALL
18	HAMMER CAGE
19	BALL BEARING
20	O RING
21	OIL SEAL
22	FRONT END PLATE
23C	CYLINDER
24C	SPRING PIN
26	ROTOR

ITEM NO.	DESCRIPTION
27	ROTOR BLADE (6)
28B	REAR END PLATE
29	BALL BEARING
30B	GASKET
31	REAR COVER
32	CAP SCREW (4)
33	TRIGGER
34	SPRING PIN
35	VALVE SLEEVE
36	REVERSE VALVE
37	SPRING PIN
38	STEEL PIN
39	O RING
40	REGULATOR KNOB
42	BUSHING
43	VALVE STEM
44B	SPRING
45	EXHAUST COVER
47B	AIR INLET
*48	LEAD HOSE
*49	HOSE CLAMPER
*50	HEX. NUT
*51	ROUND HEAD SCREW
*52	EXHAUST HOSE
	LEAD HOSE