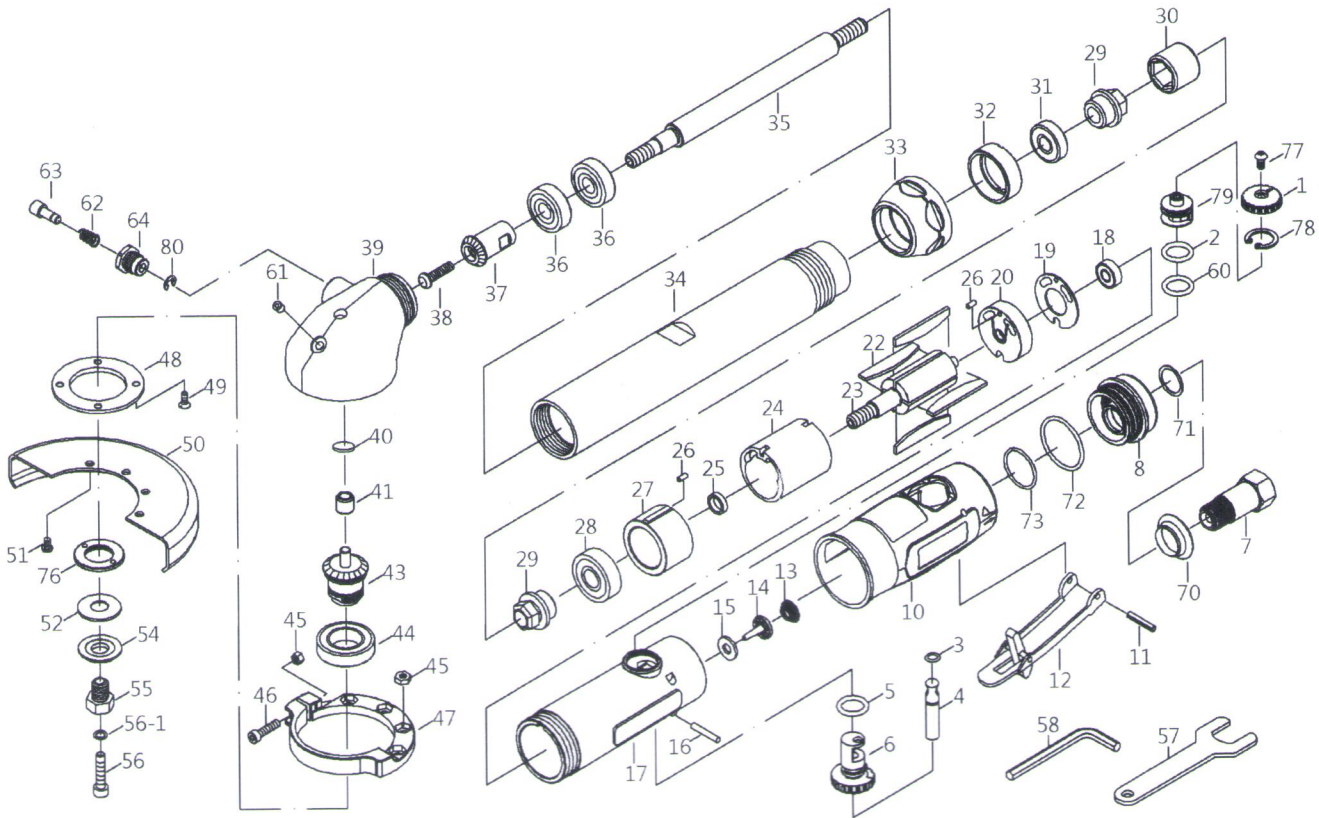


## 4" EXTENDED REVERSIBLE AIR CUTTER



ITEM NO.	REF. NO.	DESCRIPTION
1	AX0001	REGULATOR
2	AX0002	O-RING (AS015)
3	AX0003	O-RING (3.5*1.4)
4	AX0004	VAVLE STEM
5	AX0005	O-RING (P10)
6	AX0006	REGULATOR
7	AX0007	AIR INLET
8	AX0008	MUFFLER
10	AX0010	PROTECTING RUBBER
11	AX0011	PIN
12	AX0012	LEVER
13	AX0013	SPRING
14	AX0014	VALVE
15	AX0015	WASHER (6*13.8*1.6T)
16	AX0016	PIN (2.8*25.8L)
17	AX0017	HOUSING
18	AX0018	BEARING (626)
19	AX0019	WASHER (17*33.2*0.8T)
20	AX0020	REAR PLATE
22	AX0022	ROTOR BLADE (4)
23	AX0023	ROTOR
24	AX0024	CYLINDER
25	AX0025	BEARING SPACER
26	AX0026	PIN (2.5*6L) (2)
27	AX0027	FRONT PLATE
28	AX0028	BEARING (6000ZZ)
29	AX0029	COUPLING NUT (2)
30	AX0030	COUPLING
31	AX0031	BEARING (699)
32	AX0032	NUT
33	AX0033	CLAMP NUT
34	AX0034	SPINDLE HOUSING
35	AX0035	SPINDLE
36	AX0036	BEARING (609) (2)
37	AX0037	PINION GEAR (14T)

ITEM NO.	REF. NO.	DESCRIPTION
38	AX0038	SCREW (M4*20)
39	AX0039	ANGLE HOUSING
40	AX0040	WASHER
41	AX0041	BEARING (HKU609)
43	AX0043	PINION GEAR (21T)
44	AX0044	BEARING (6904)
45	AX0045	NUT (5)
46	AX0046	SCREW (M4*20)
47	AX0047	HANDLE LINK
48	AX0048	FACE PLATE
49	AX0049	SCREW (M4*10) (4)
50	AX0050	DISC COVER
51	AX0051	SCREW (M4*6) (4)
52	AX0052	WASHER
54	AX0054	WASHER
55	AX0055	NUT
56	AX0056	SCREW
56-1	AX0056-1	WASHER
57	AX0057	STOP SPANNER (14mm)
58	AX0058	HEX (4mm)
60	AX0060	O-RING (S16)
61	AX0061	OIL CUP
62	AX0062	SPRING
63	AX0063	PIN
64	AX0064	NUT
70	AX0070	MUFFLER BODY
71	AX0071	WASHER
72	AX0072	O-RING (AS125)
73	AX0073	O-RING (S30)
76	AX0076	NUT
77	AX0077	SCREW (M4*8)
78	AX0078	SNAP RING (RTW-18)
79	AX0079	REGULATOR
80	AX0080	SNAP RING