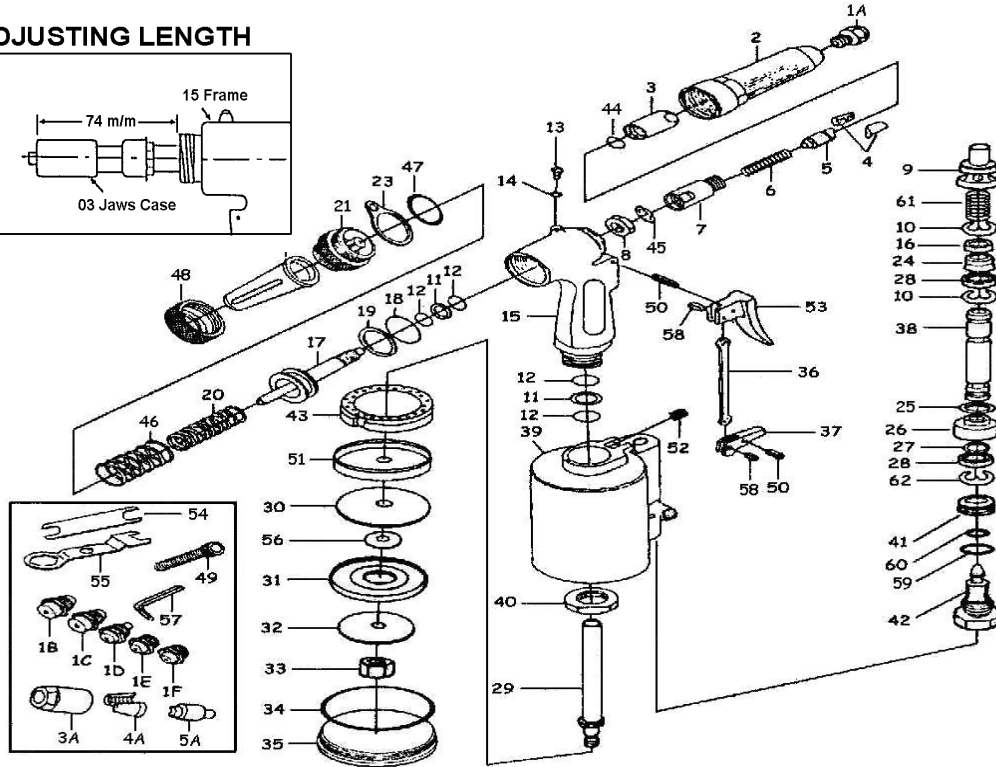
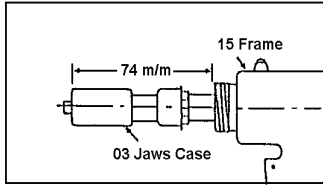


Blindklinknageltang - Riveter - Blindnietgerät - Riveteuse

**ADJUSTING LENGTH**



ITEM NO.	DESCRIPTION
1A	NOSE PIECE 6.4m/m (1/4")
1B	NOSE PIECE 5.5m/m (7/32")
1C	NOSE PIECE 4.8m/m (3/16")
1D	NOSE PIECE 4.0m/m (5/32")
1E	NOSE PIECE 3.2m/m (1/8")
1F	NOSE PIECE 2.4m/m (3/32")
2	NOSE HOUSING 93L
3	JAW CASE (3/16" ~ 1/4")
3A	JAW CASE (3/32" ~ 5/32")
4	JAWS (6 X 12) (3/16" ~ 1/4") (2)
4A	JAWS (5 X 10) (3/32" ~ 5/32") (2)
5	JAW PUSHER (3/16" ~ 1/4")
5A	JAW PUSHER (3/32" ~ 5/32")
6	JAW CASE SPRING
7	JAW CASE BACK PART
8	JAW CASE LOCK NUT
9	VALVE PUSHER
10	"E" RING E6 (2)
11	BACK UP RING (2)
12	O-RING (4)
13	AIR BLOW PLUG M8 X 8
14	PACKING
15	FRAME
16	COLLAR FOR VALVE TUBE
17	OIL PISTON
18	O-RING P24
19	BACK UP RING P24
20	RETURN SPRING (INNER)
21	FRAME CAP
22	SAFETY CAP
23	HANGER CLIP
24	AIR VALVE SEAL
25	O-RING P10A
26	VALVE SEAT
27	O-RING 4.4 X 2.62

ITEM NO.	DESCRIPTION
28	RING SEAL WASHER (2)
29	AIR PISTON ROD
30	AIR PISTON BOARD 8 X 75
31	CUP PACKING
32	PACKING WASHER 8 X 65
33	ROCK NUT M8 X 11L
34	O-RING G80
35	CYLINDER CAP
36	TRIGGER ROD
37	TRIGGER LEVER
38	VALVE TUBE
39	AIR CYLINDER
40	FRAME LOCK NUT
41	NIPPLE SCREW
42	END PLUG
43	RUBBER CUSHION
44	JAW CASE O-RING S12
45	WASHER RING
46	RETURN SPRING (OUTER)
47	FRAME CAP O-RING S26
48	CAP NUT
49	BOLT PLUG 3/8" - 24UNF X 35L
50	PIN 3 X 20 (2)
51	RUBBER CUSHION SEAT
52	LOCK SCREW M6 X 5L
53	TRIGGER (LONG)
54	SPANNER 17 AND 19
55	SPANNER
56	PISTON WASHER SEAT
57	HEX WRENCH M5 AND M8 (2)
58	TRIGGER PIN 3 X 8
59	O-RING P12
60	SEAL
61	PUSHER SPRING
62	E-RING E6