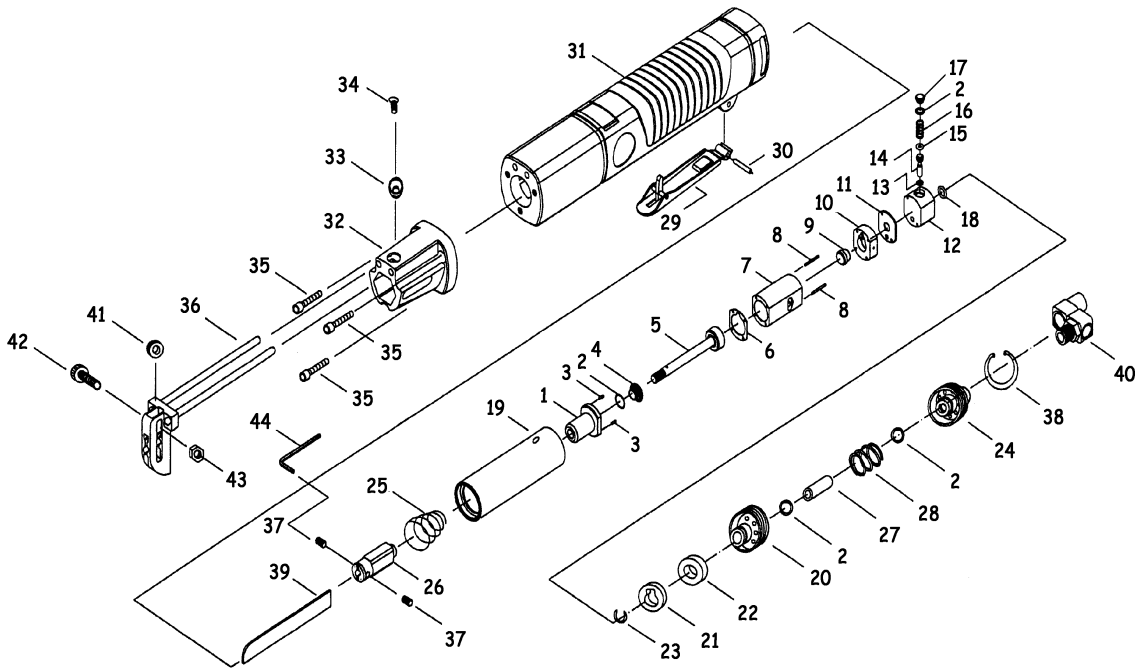


Carrosseriezaag - Kraftstichsäge - Carbody Saw - Scie à tôle



ITEM NO.	DESCRIPTION
1	CYLINDER HEAD ASS'Y
2	O-RING (4)
3	FRONT DOWEL PIN (2)
4	BUMPER
5	PISTON ASS'Y
6	GASKET
7	CYLINDER
8	REAR DOWEL PIN (2)
9	AUTOMATIC VALVE
10	VALVE CHEST
11	VALVE SEAT
12	VALVE CASE
13	O-RING
14	VALVE STEM
15	O-RING
16	SPRING
17	VALVE CAP
18	RUBBER WASHER
19	MAIN LINER
20	ADAPTOR
21	MUFFLER CAP
22	MUFFLER

ITEM NO.	DESCRIPTION
23	RETAINING RING
24	AIR INLET
25	SHOCK ABSORBENT SPRING
26	BLADE HOLDER ASS'Y
27	CONNECTING HOSE
28	SPRING
29	SAFETY LEVER ASS'Y
30	SPRING PIN
31	BODY
32	FRONT HEAD
33	SPACER
34	SCREW
35	SCREW (3)
36	SAW BLADE GUIDE
37	SET SCREW (2)
38	RETAINING RING
39	14T & 18T SAW BLADE
40	UNIVERSAL SWIVEL AIR INLET JOINT
41	GUIDE WHEEL
42	SCREW
43	NUT
44	3mm HEX WRENCH