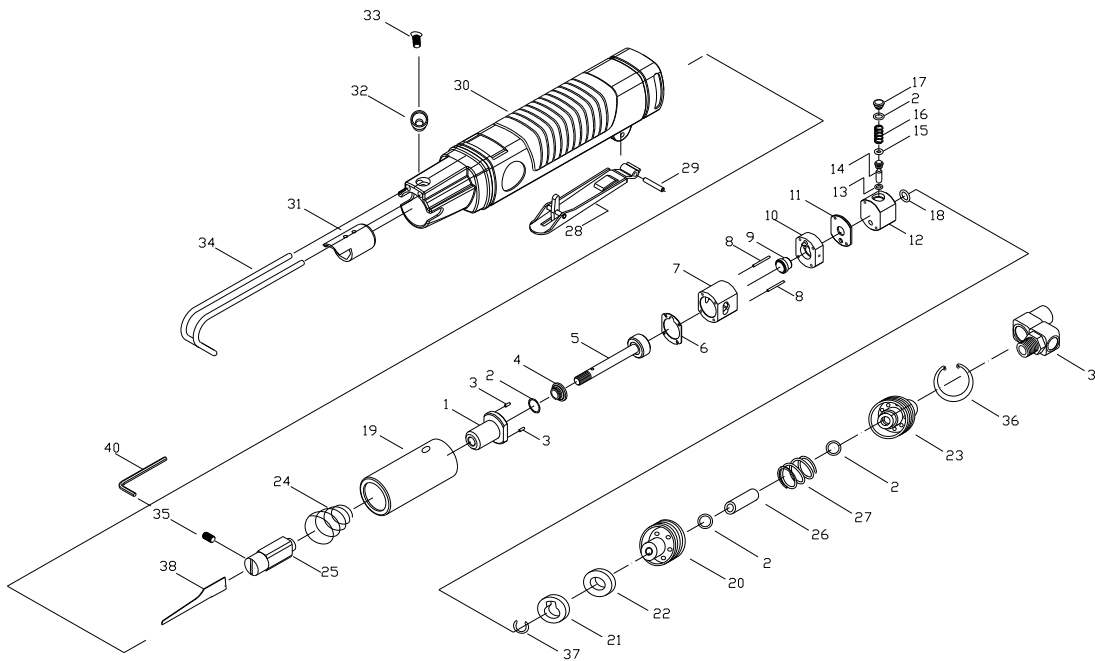


Carrosseriezaag - Kraftstichsäge - Carbody Saw - Scies



ITEM NO.	DESCRIPTION
1	CYLINDER HEAD ASS'Y
2	O-RING (4)
3	FRONT DOWEL PIN (2)
4	BUMPER
5	PISTON ASS'Y
6	GASKET
7	CYLINDER
8	REAR DOWEL PIN (2)
9	AUTOMATIC VALVE
10	VALVE CHEST
11	VALVE SEAT
12	VALVE CASE
13	O-RING
14	VALVE STEM
15	O-RING
16	SPRING
17	VALVE CAP
18	RUBBER WASHER
19	MAIN LINER
20	ADAPTOR
21	MUFFLER CAP

ITEM NO.	DESCRIPTION
22	MUFFLER
23	AIR INLET
24	SHOCK ABSORBENT SPRING
25	BLADE HOLDER ASS'Y
26	CONNECTING HOSE
27	SPRING
28	SAFETY LEVER ASS'Y
29	SPRING PIN
30	BODY
31	SLIDING LINER
32	WASHER
33	SCREW
34	HOLDER
35	SET SCREW
36	RETAINING RING
37	RETAINING RING
38	18T SAW BLADE
	24T SAW BLADE
	32T SAW BLADE
39	AIR INLET JOINT
40	3mm HEX WRENCH