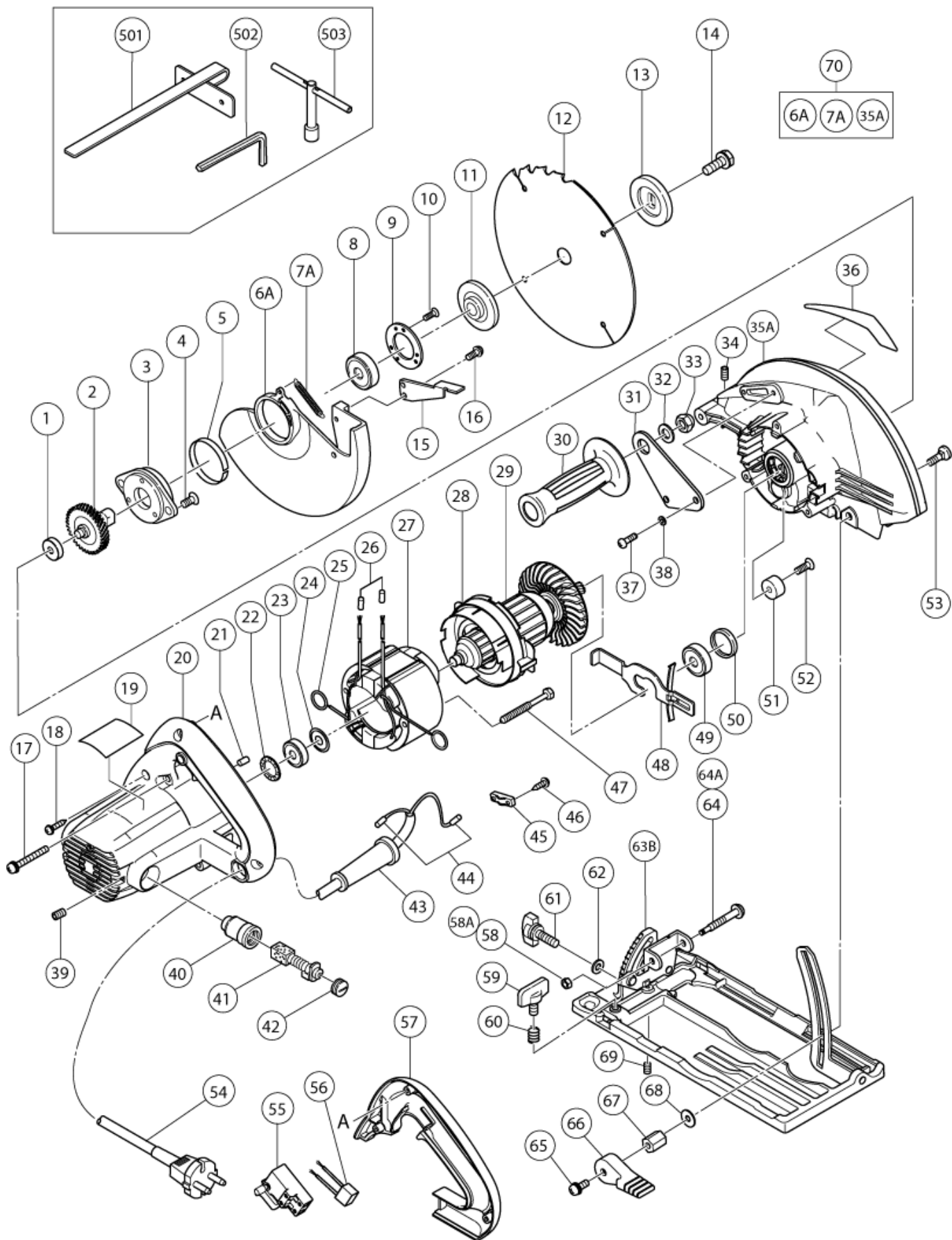


nÂ°	Artikel	Aantal gebruikt
1	963803 METAL	1
2	322088 SPINDLE AND GEAR SET	1
3	308361 BEARING HOLDER	1
4	305568 SEAL LOCK FLAT HD. SCREW M5X12	2
5	318192 BUSHING	1
6A	336976 LOWER GUARD (OLD 323921)	1
7A	336975 RETURN SPRING (OLD 302442/330984)	0
8	6002VV BALL BEARING 6002VVCMP2L	1
9	308362 BEARING COVER	1
10	308773 SEAL LOCK FLAT HD. SCREW M3X12	3
11	323928 WASHER (A)	1
11	322099 WASHER (A) FOR NZL & AUS	1
12	323894 TCT SAW BLADE 190MM-D30 HOLE-NT40	1
12	323893 TCT SAW BLADE 190MM-D20 HOLE-NT40	1
13	323924 WASHER (B)	1
14	957749 BOLT M7X17.5 (W/WASHER)	1
15	302464 KNOB	1
16	304043 MACHINE SCREW M4X10 (W/WASHERS) BLACK	1
17	302434 MACHINE SCREW M5X45 (W/WASHERS) BLACK (OLD 303883)	3
18	301653 TAPPING SCREW (W/FLANGE) D4X20 (BLACK)	3
19	NAME PLATE	1
20	323930 HOUSING ASS'Y (OFF BLACK GREEN)	1
20	323929 HOUSING ASS'Y (GREEN)	1
21	931701 BEARING LOCK	1
22	316394 THRUST WASHER	1
23	608VVM BALL BEARING 608VVC2PS2L	1
24	982631 WASHER (A)	1
25	930703 BRUSH TERMINAL	2
27	340614C STATOR ASS'Y 110 VOLT	1
27	340614E STATOR ASS'Y 230 VOLT	1
27	340614F STATOR ASS'Y 240V	1
28	322002 FAN GUIDE	1
29	360694C ARMATURE 110 VOLT	1
29	360694E ARMATURE 230 VOLT	1
29	360694F ARMATURE 240V	1
30	323925 SIDE HANDLE ASS'Y	1
31	323926 PLATE	1
32	949458 SPRING WASHER M10 (10 PCS)	1

nÂ°	Artikel	Aantal gebruikt
33	323927 CAP NUT M10	1
34	962782 HEX.SOCKET SET SCREW M5X6	1
35A	336974 GEAR COVER ASS'Y (OLD 323919)	0
36	HITACHI LABEL	1
37	949237 MACHINE SCREW M5X12 (10 PCS)	2
38	949454 SPRING WASHER M5 (10 PCS)	2
39	938477 HEX.SOCKET SET SCREW M5X8	2
40	957051 BRUSH HOLDER	2
41	999043 CARBON BRUSH (1 PAIR)	2
42	935829 BRUSH CAP	2
43	953327 CORD ARMOR D8.8	1
44	981373 TUBE (D)	2
45	937631 CORD CLIP	1
46	984750 TAPPING SCREW (W/FLANGE) D4X16	2
47	953174 HD.TAPPING SCREW D5X55 (OLD 956669)	2
48	307918 LOCK LEVER	1
49	6000VV BALL BEARING 6000VVCMP52L	1
50	318647 RUBBER RING	1
51	961729 CUSHION	1
52	949794 FLAT HD.SCREW M6X20 (10 PCS)	1
53	942808 BOLT (SQUARE) M6X20	1
54	500237Z CORD 2,5M 2 X 1.0 W/O PLUG (OLD 500396Z,971517Z,971675Z)	1
54	500234Z CORD 5M 2 X 1.0 FOR INA,SUR,MLT H05VV-F (NEW 714500)	1
54	500435Z CORD 2,5M 2 X 1.0 H05VV-F W/PLUG 13A/250V GBR	1
54	500439Z CORD FOR AUS (OLD 500226Z/500411Z)	1
54	500447Z CORD 2,5M 2 X 1.0 H05VV-F (OLD 500395Z)	1
54	500247Z CORD (NEW 714500)	1
55	963756Z SWITCH (2P PILLAR TYPE) W/SAFETY LOCK	1
56	930039 NOISE SUPPRESSOR	1
57	323932 HANDLE COVER (OFF BLACK GREEN)	1
57	323931 HANDLE COVER (GREEN)	1
58A	308387 U-NUT M5	1
58	315253 SLEEVE	1
59	307898 WING BOLT M6X18	1
60	941056 SPRING	1
61	307937 WING BOLT (A)	1
62	948167 SUPER LOCK WASHER M6	1
63B	330840 BASE ASS'Y (OLD 323920)	1

nÂ°	Artikel	Aantal gebruikt
64	315183 ADJUSTING SCREW (A)	1
64A	322096 ADJUSTING SCREW (A)	1
65	322260 SEAL LOCK SCREW M6X14 (W/SP WASHERS)	1
66	323923 LEVER (A)	1
67	323922 LOCK NUT	1
68	320975 WASHER	1
69	308109 SLOTTED HD.SET SCREW M6X8 (SEAL LOCK)	1
70	336977 GEAR COVER SET NEW JUN	0
501	302756 GUIDE	1
502	990666 HEX. BAR WRENCH 2.5MM	1
503	940543 BOX WRENCH 10MM	1
601	302981 DUST COLLECTOR SET (D)	1
602	954619 @ CORD HANGER	1



Rev. 3

形 名
C7MFA