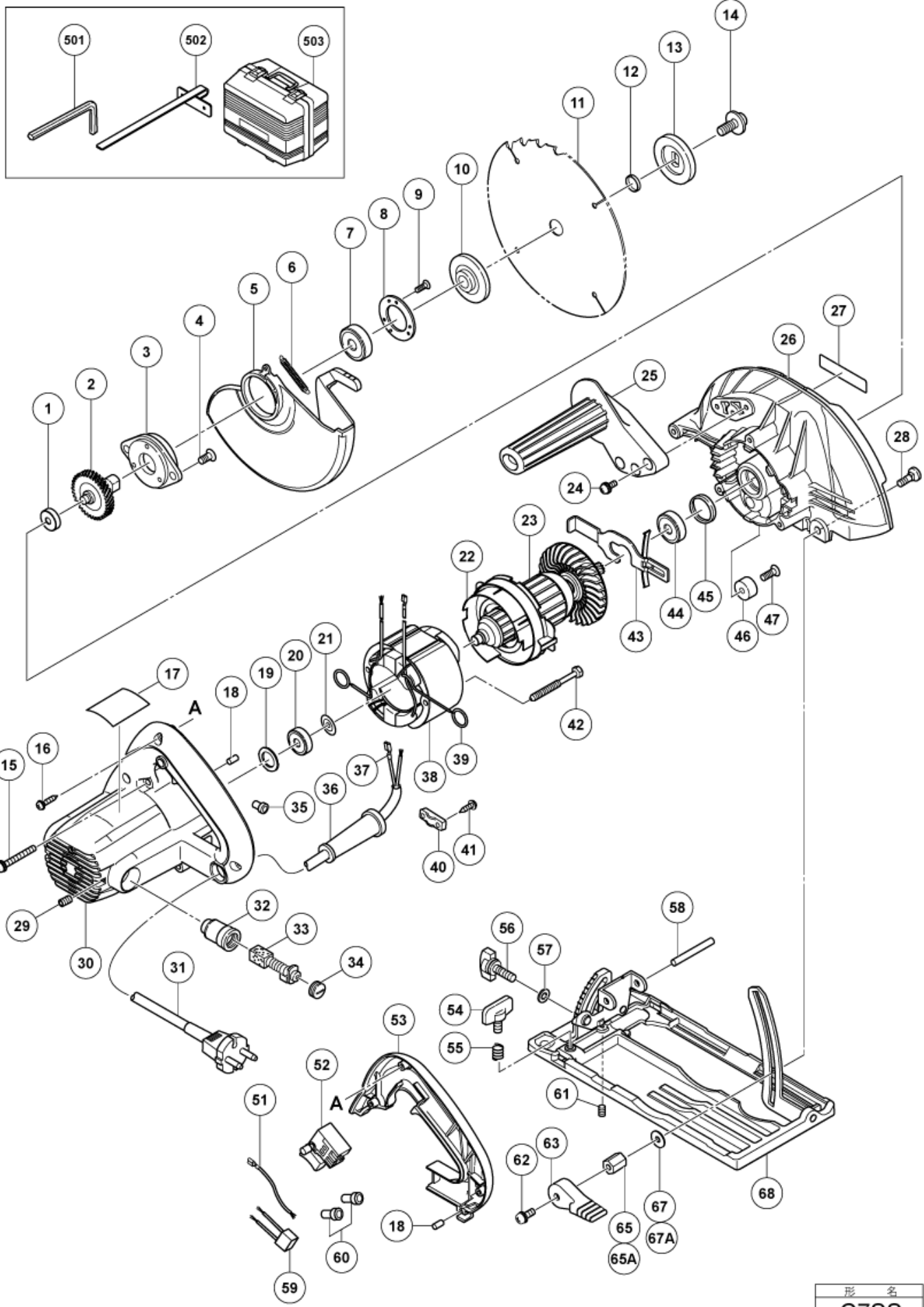


nÂ°	Artikel	Aantal gebruikt
1	963803 METAL	1
2	331705 SPINDLE AND GEAR SET	1
2	322088 SPINDLE AND GEAR SET	1
3	308361 BEARING HOLDER	1
4	305568 SEAL LOCK FLAT HD. SCREW M5X12	2
5	331273 LOWER GUARD	1
6	331268 RETURN SPRING	1
7	6002VV BALL BEARING 6002VVCMP2L	1
8	308362 BEARING COVER	1
9	308773 SEAL LOCK FLAT HD. SCREW M3X12	3
10	323928 WASHER (A)	1
10	334710 WASHER (A)	1
10	317466 WASHER (A1)	1
11	331659 TCT SAW BLADE 190MM-D15.9 HOLE-NT18	1
11	334709 TCT SAW BLADE 190MM-D19 HOLE-NT60	1
11	330888 TCT SAW BLADE 190MM-D20 HOLE-NT18	0
11	324668 TCT SAW BLADE 190MM-D30 HOLE-NT18	1
12	990100 RING D15.9/I.D.14.5	1
13	324563 WASHER (B2)	1
13	323924 WASHER (B)	1
14	325541 HEX. SOCKET HD. BOLT M7X17.5 (W/WASHER)	1
15	302434 MACHINE SCREW M5X45 (W/WASHERS) BLACK (OLD 303883)	3
16	328643 TAPPING SCREW (W/FLANGE) D4X23 (BLACK)	3
17	NAME PLATE	1
18	931701 BEARING LOCK	2
19	331264 THRUST WASHER	1
20	608VVM BALL BEARING 608VVC2PS2L	1
21	982631 WASHER (A)	1
22	322002 FAN GUIDE	1
23	360883E ARMATURE ASS'Y 220-230 VOLT	1
23	360883C ARMATURE ASS'Y 110 VOLT	1
23	360883D ARMATURE 120V	1
23	360883F ARMATURE 240V	1
24	887021 @ MACHINE SCREW M5X16 BLACK (W/WASHERS) (NEW 791045)	1
25	330973 SIDE HANDLE	1
26	331272 GEAR COVER ASS'Y	1
27	HITACHI LABEL	1
28	942808 BOLT (SQUARE) M6X20	1

nÂ°	Artikel	Aantal gebruikt
29	938477 HEX.SOCKET SET SCREW M5X8	2
30	331260 HOUSING ASS'Y	1
31	500447Z CORD 2,5M 2 X 1.0 H05VV-F (OLD 500395Z)	1
31	500247Z CORD (NEW 714500)	1
31	500240Z CORD FOR USA/CAN	1
31	500409Z CORD	1
31	500461Z CORD 3M 2 X 1,0 H05VV-F W/PLUG 16A CEE FORM 2P+E FOR GBR	1
31	500231Z CORD 2,5M 2 X 0.75 H05VV-F W/O PLUG (NEW 500237Z)	1
31	500468Z CORD	1
31	323974 CORD	1
31	500435Z CORD 2,5M 2 X 1.0 H05VV-F W/PLUG 13A/250V GBR	1
31	500455Z CORD	1
31	500439Z CORD FOR AUS (OLD 500226Z/500411Z)	1
32	957051 BRUSH HOLDER	2
33	999043 CARBON BRUSH (1 PAIR)	2
34	935829 BRUSH CAP	2
35	959140 CONNECTOR 50091 (10 PCS.)	0
36	938051 CORD ARMOR D10.1	1
36	953327 CORD ARMOR D8.8	1
37	331707 FASTON	1
38	340614C STATOR ASS'Y 110 VOLT	1
38	340756F STATOR ASS'Y 240V	1
38	340756D STATOR ASS'Y 120V	1
38	340614E STATOR ASS'Y 230 VOLT	1
38	340756C STATOR ASS'Y 110V	1
38	340756E STATOR ASS'Y 220V-230V	1
38	340614F STATOR ASS'Y 240V	1
39	930703 BRUSH TERMINAL	2
40	937631 CORD CLIP	1
41	984750 TAPPING SCREW (W/FLANGE) D4X16	2
42	953174 HD.TAPPING SCREW D5X55 (OLD 956669)	2
43	307918 LOCK LEVER	1
44	6000VV BALL BEARING 6000VVCMP2L	1
45	318647 RUBBER RING	1
46	961729 CUSHION	1
47	949794 FLAT HD.SCREW M6X20 (10 PCS)	1
51	331269 LEAD WIRE ASS'Y	0
52	331259 SWITCH	1

nÂ°	Artikel	Aantal gebruikt
52	337724 SWITCH	1
53	331261 HANDLE COVER	1
54	307898 WING BOLT M6X18	1
55	941056 SPRING	1
56	307937 WING BOLT (A)	1
56	308364 WING BOLT (A)	1
57	948167 SUPER LOCK WASHER M6	1
58	949750 ROLL PIN D6X50 (10 PCS) (OLD 949750Z)	1
59	930039 NOISE SUPPRESSOR	1
60	959141 CONNECTOR 50092 (10 PCS) (OLD 939558)	2
61	308109 SLOTTED HD.SET SCREW M6X8 (SEAL LOCK)	0
62	322260 SEAL LOCK SCREW M6X14 (W/SP WASHERS)	1
63	323923 LEVER (A)	1
65A	331267 LOCK NUT	1
65	328048 LOCK NUT	1
67A	320975 WASHER	1
67	329933 WASHER (C)	1
68	331270 BASE ASS'Y	1
68	331271 BASE ASS'Y	1
501	944459 HEX. BAR WRENCH 5MM	1
502	302756 GUIDE	1
503	331671 CASE	1
601	302981 DUST COLLECTOR SET (D)	1
602	322099 WASHER (A) FOR NZL & AUS	0



Rev.2

形名
C7SS