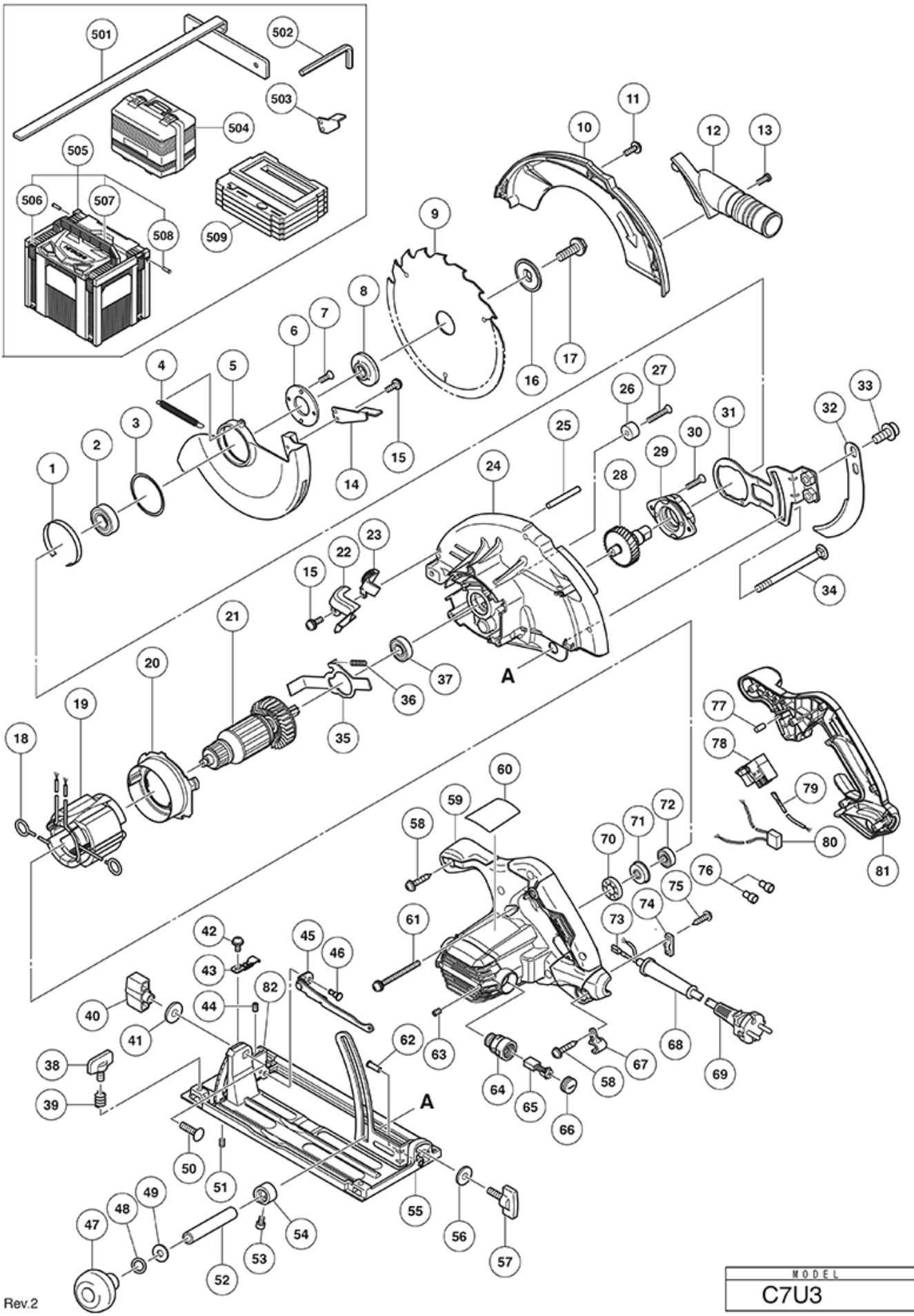


nÂ°	Artikel	Aantal gebruikt
*69	500517Z CORD FOR GBR 110 VOLT NEW	1
	OPTIONAL ACCESSORIES	0
*59	370340 HOUSING ASS'Y	1
*69	500390Z CORD 5M 2 X 1.5 FOR HOL (NEW 714520)	1
*69	500440Z CORD 5M 2 X 1,0 W/PLUG 13A/250V FOR GBR	1
*78	334474 SWITCH W/OFF LOCK TYPE	1
*78	322298 SWITCH	1
*69	500235Z CORD 5M 2 X 1.0 FOR EUROPE (NEW 714500)	1
*59	370339 HOUSING ASS'Y NEW	1
*69	500501Z CORD	1
*8	370272 WASHER (A) NEW	1
*21	361037C ARMATURE 110 VOLT NEW	1
	STANDARD ACCESSORIES	0
*9	324668 TCT SAW BLADE 190MM-D30 HOLE-NT18	1
*8	370270 WASHER (A)	1
*21	361037E ARMATURE 220-230 VOLT NEW	1
*9	330888 TCT SAW BLADE 190MM-D20 HOLE-NT18	1
*19	340945E STATOR ASS'Y 220-230 VOLT NEW	1
*19	340945C STATOR ASS'Y 110 VOLT NEW	1
1	998887 LINER	1
2	327694 BALL BEARING 6003VVCM (NYLON RETAINER)	1
3	370591 WASHER NEW	1
4	370373 RETURN SPRING NEW	1
5	370356 LOWER GUARD NEW	1
6	302435 BEARING HOLDER	1
7	990430 SEAL LOCK FLAT HD. SCREW M4X10	2
10	370354 SAW COVER NEW	1
11	951039 MACHINE SCREW (W/SP.WASHER) M4X12	3
12	997247 DUST COLLECTOR	1
14	370542 LEVER (OLD 302464)	1
16	370279 WASHER (B) NEW	1
17	324662 HEX.SOCKET HD.BOLT M8X15,5	1
18	930703 BRUSH TERMINAL	2
20	370342 FAN GUIDE NEW	1
22	370344 FLOW GUIDE (B) NEW	1
23	370343 FLOW GUIDE (A) NEW	1
24	370349 GEAR COVER NEW	1
25	949686 ROLL PIN D6X40 (10 PCS)	1

nÂ°	Artikel	Aantal gebruikt
26	961729 CUSHION	1
27	949794 FLAT HD.SCREW M6X20 (10 PCS)	1
28	370371 SPINDLE AND GEAR SET NEW	1
29	370353 BEARING HOLDER NEW	1
30	992013 SEAL LOCK FLAT HD. SCREW M5X14	2
31	370364 ARM NEW	1
32	370365 RIVING KNIFE NEW	1
33	370287 HEX. SOCKET HD. BOLT M8 NEW	2
34	370663 DIAGONAL BOLT M8 NEW	1
35	370363 LOCK LEVER NEW	1
36	330982 SPRING (A)	1
37	6001VV BALL BEARING 6001VV	1
38	301806 WING BOLT M6X15	1
39	947859 LOCK SPRING (OLD 996224)	1
40	324658 WING NUT M8	1
42	331003 MACHINE SCREW M4 (W/SP.WASHER)	1
43	324659 GUIDE PIECE	1
44	319541 SEAL LOCK HEX. SOCKET SET SCREW M5X6	1
45	370368 PLATE NEW	1
46	370295 STEP PIN NEW	1
47	324660 KNOB	1
48	676531 O-RING (P-7)	1
49	949433 BOLT WASHER M8 (10 PCS.)	1
50	302457 BOLT (SQUARE) M8X30	1
51	302469 SLOTTED HD.SET SCREW M6X6 (SEAL LOCK)	1
52	370267 SLEEVE (A) NEW	1
53	370278 SEAL LOCK HEX. SOCKET HD. BOLT M4X6 NEW	1
54	370268 SLEEVE (B) NEW	1
55	370359 BASE ASS'Y NEW	1
56	949425 WASHER M6 (10 PCS)	1
57	302459 WING BOLT M6X17	1
58	301653 TAPPING SCREW (W/FLANGE) D4X20 (BLACK)	6
60	NAME PLATE	1
61	997841 MACHINE SCREW (W/WASHERS) M5X50	3
62	308480 RIVET D6X17	1
63	938477 HEX.SOCKET SET SCREW M5X8	2
64	958900 BRUSH HOLDER	2
65	999043 CARBON BRUSH (1 PAIR)	2

nÂ°	Artikel	Aantal gebruikt
66	945161 BRUSH CAP	2
67	370269 CORD HOLDER NEW	1
68	953327 CORD ARMOR D8.8	1
70	331006 RUBBER BUSHING	1
71	322089 BEARING BUSHING	1
72	333945 BALL BEARING 608VV NEW	1
73	331707 FASTON	1
74	937631 CORD CLIP	1
75	984750 TAPPING SCREW (W/FLANGE) D4X16	2
76	959141 CONNECTOR 50092 (10 PCS) (OLD 939558)	2
77	931701 BEARING LOCK	1
79	370661 INTERNAL WIRE NEW	1
80	930039 NOISE SUPPRESSOR	1
81	370341 HANDLE COVER NEW	1
82	370367 BEVEL PLATE NEW	1
83	371213 PLATE (C)	1
84	935196 MACHINE SCREW (W/WASHERS) M4X12 (BLACK)	1
501	370587 GUIDE NEW	1
502	872422 HEX. BAR WRENCH 6MM	1
503	370264 LEVER NEW	1
504	370664 PLASTIC CARRYING CASE NEW	1
505	337528 CASE ASS'Y (STACKABLE)	1
506	336472 LATCH	4
507	336473 HANDLE	1
508	336474 HINGE	2
509	370589 BOTTOM CUSHION C7.... (HSC) NEW	1
601	331762 GUIDE RAIL ASS'Y	1
602	330968 GUIDE RAIL ADAPTOR	1
603	330978 GUIDE RAIL PLATE	1
604	330979 GUIDE BAR	1
605	330980 GUIDE BAR	1
606	307947 WING BOLT M6X12	2
607	331761 MACHINE SCREW M5X12 (W/SP.WASHER) BLACK	2



Rev.2

MODEL  
C7U3