

nÂ°	Artikel	Aantal gebruikt
2	312488 CLAMP LEVER (OLD 996219)	1
3	329409 BOLT (LEFT HAND) D10	1
4	965077 SPECIAL WASHER	1
5	325028 SET PIN	1
6	996407 O-RING (1AP-12)	1
10	329417 SCALE (B)	1
11	329408 LINER (A)	1
12	312481 SPRING	1
13	329422 TURN TABLE	1
14	329418 SHAFT (B)	1
15	949437 BOLT WASHER M12 (10 PCS) (OLD 949437Z)	2
18	949256 MACHINE SCREW M6X16 (10 PCS)	6
19	329421 TABLE INSERT	2
20	321342 SPACER (A)	1
21	329416 SHAFT (A)	1
22	673489 RETAINING RING (E-TYPE)	1
23	322283 SIDE HANDLE (OLD 976805)	1
24	321339 LEVER SHAFT	1
25	321338 LEVER	1
26	321340 SPRING (D)	1
27	329415 SHAFT (C)	1
28	987860 SEAL LOCK HEX. SOCKET SCREW M6X6	1
29	321417 SPRING (E)	1
30	322280 STOPPER	1
31	324395 COVER (B)	1
32	875249 THRUST WASHER	1
33	321336 PIN COVER	1
34	302522 KNOB BOLT M10X66	1
36	SCREW HOLDER	1
37	949432 BOLT WASHER M6 (10 PCS) (OLD 949432Z)	1
38	329859 VISE SHAFT	1
39	302532 VISE PLATE	1
40	949216 MACHINE SCREW M4X10 (10 PCS) (OLD 949216Z)	1
41	329860 VISE ASS'Y	1
42	949678 BOLT M8X35 (10 PCS)	4
43	949457 SPRING WASHER M8 (10 PCS.)	4
44	949433 BOLT WASHER M8 (10 PCS.)	4
45	307937 WING BOLT (A)	1

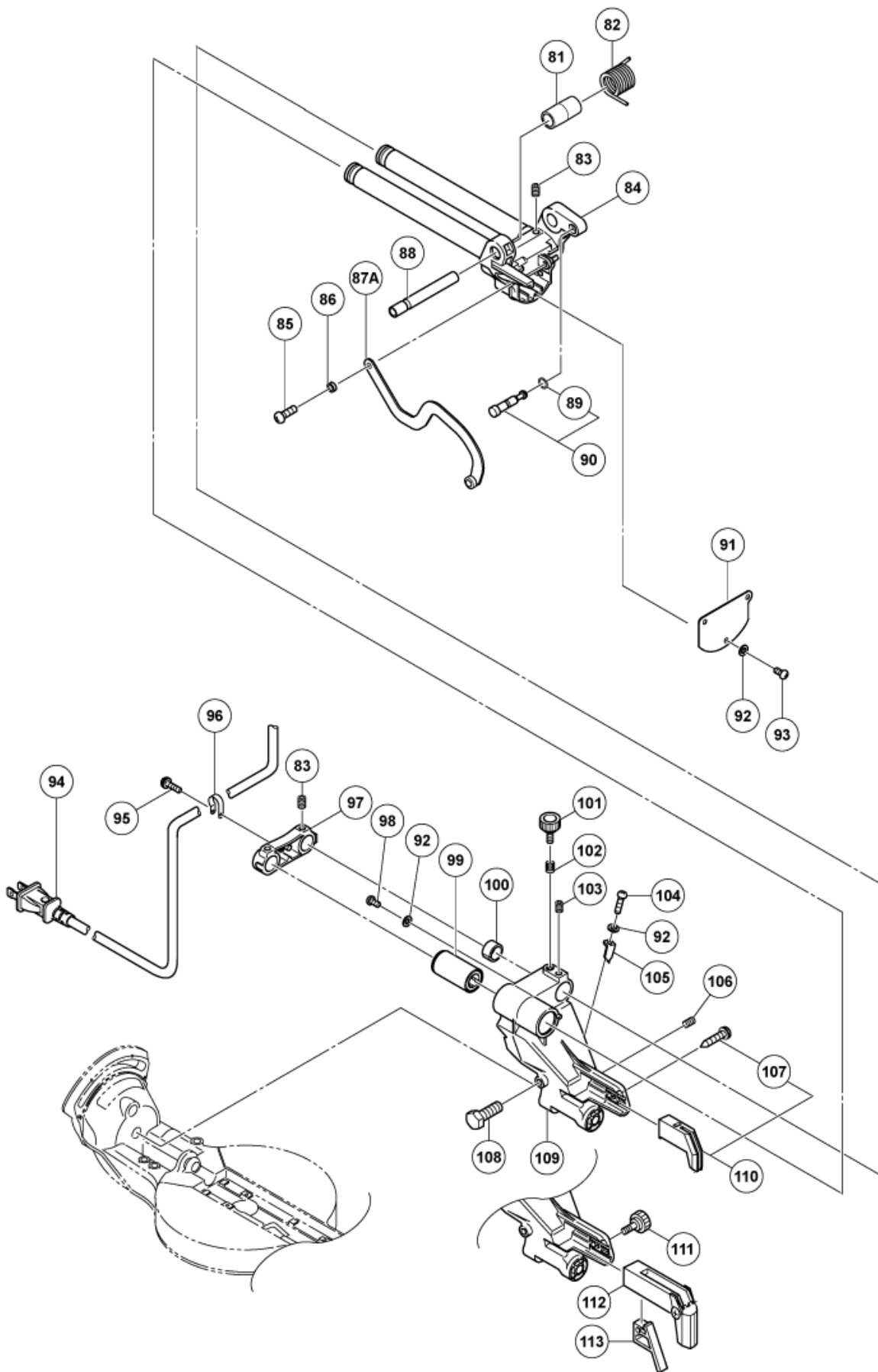
nÂ°	Artikel	Aantal gebruikt
46	329420 FENCE (B)	1
51	998844 HOLDER	1
52	949610 BOLT M6X10 (10 PCS)	1
53	324400 LINER	3
54	329419 FENCE (A)	1
55	329414 BASE ASS'Y	1
56	323606 BASE RUBBER	4
57	315210 SCALE (A)	1
58	CAUTION LABEL (A)	1
58	CAUTION LABEL (B)	1
81	322889 SLEEVE	1
82	329410 SPRING	1
83	961554 @ HEX.SOCKET SET SCREW M8X10	4
84	329427 HINGE (A) ASS'Y	1
85	949237 MACHINE SCREW M5X12 (10 PCS)	1
86	998980 SPACER	1
87A	329411 LINK	1
88	320141 HINGE SHAFT (A) (OLD 996235)	1
89	984528 O-RING (P-6)	1
90	302518 STOPPER PIN ASS'Y	1
91	324058 HINGE COVER	1
92	949429 BOLT WASHER M4 (10 PCS.)	6
94	500455Z CORD	1
94	323974 CORD	1
94	500423Z @ CORD 2,5M 2 X 1.0 H05VV-F W/PLUG 13A/250V (OLD 500223Z)	1
94	500447Z CORD 2,5M 2 X 1.0 H05VV-F (OLD 500395Z)	1
94	500247Z CORD (NEW 714500)	1
94	500456Z CORD	1
94	930055 CORD	1
94	500234Z CORD 5M 2 X 1.0 FOR INA,SUR,MLT H05VV-F (NEW 714500)	1
94	500439Z CORD FOR AUS (OLD 500226Z/500411Z)	1
94	500434Z CORD	1
94	500435Z CORD 2,5M 2 X 1.0 H05VV-F W/PLUG 13A/250V GBR	1
94	500461Z CORD 3M 2 X 1,0 H05VV-F W/PLUG 16A CEE FORM 2P+E FOR GBR	1
96	948193 NYLON CLIP	1
96	948614 NYLON CLIP FOR SWISS,GBR,ESP	1
97	329492 SUPPORT	1
98	949215 MACHINE SCREW M4X8 (10 PCS)	5

nÂ°	Artikel	Aantal gebruikt
99	329424 BALL BUSHING	1
100	326141 BUSHING	1
101	324418 KNOB BOLT M6X25	1
102	947859 LOCK SPRING (OLD 996224)	1
103	307956 SEAL LOCK HEX. SOCKET SCREW M6X10	1
104	949217 MACHINE SCREW M4X12 (10 PCS)	1
105	321329 INDICATOR	1
106	301575 HEX.SOCKET SET SCREW M6X8	2
107	305558 TAPPING SCREW (W/FLANGE) D5X25 (BLACK)	1
109	329428 HOLDER (A)	1
110	324372 GUARD ASS'Y	1
111	998879 KNOB BOLT	1
112	321333 GUARD (A)	1
113	321394 GUARD HOLDER	1
151	984750 TAPPING SCREW (W/FLANGE) D4X16	2
152	938051 CORD ARMOR D10.1	1
153	937631 CORD CLIP	1
154	329437 HOUSING ASS'Y	1
155	NAME PLATE	1
156	322123 MACHINE SCREW M6X40 (W/WASHERS) BLACK	3
157	938477 HEX.SOCKET SET SCREW M5X8	2
158	957571 BRUSH HOLDER	2
159	999001 CARBON BRUSH (1 PAIR)	2
159	999021 CARBON BRUSH (1 PAIR)	2
160	931266 BRUSH CAP	2
161	301653 TAPPING SCREW (W/FLANGE) D4X20 (BLACK)	7
162	329438 HANDLE COVER	1
163	324518 FERRITE CORE	1
164	959141 CONNECTOR 50092 (10 PCS) (OLD 939558)	2
165	329430 INTERNAL WIRE (G)	1
165	329461 INTERNAL WIRE (G)	1
166	324424 SWITCH (3P FASTON TYPE W/O LOCK)	1
167	958308Z PILLAR TERMINAL (A)	1
168	329862 NOISE SUPPRESSOR 110 VOLT	1
168	329861 NOISE SUPPRESSOR 220-240 VOLT	1
169	329439 CAP	1
170	323433 SPRING	1
171	323432 LOCK LEVER	1

nÂ°	Artikel	Aantal gebruikt
172	329436 FAN GUIDE	1
173	960108 HEX.HD. TAPPING SCREW D4X60	2
174	931867 BRUSH TERMINAL	2
175	340729G STATOR ASS'Y 220-230 VOLT (SOFT START)	1
175	340729E STATOR ASS'Y 220-230 VOLT	1
175	340729C STATOR ASS'Y 110 VOLT	1
175	340729D STATOR ASS'Y 120V	1
175	340729F STATOR ASS'Y 240V	1
176	6000VV BALL BEARING 6000VVCMP2L	1
177	315877 DUST SEAL	1
179	322089 BEARING BUSHING	1
180	322090 RUBBER BUSHING	1
181	360839G ARMATURE ASS'Y 220-230 VOLT (SOFT START)	1
181	360839U ARMATURE ASS'Y 110-120 VOLT	1
181	360839E ARMATURE ASS'Y 220-230 VOLT	1
181	360839F ARMATURE ASS'Y 240V	1
182	961468 KNOB BOLT M6X37	1
183	988821 LOCK SPRING	1
184	303409 @ NYLOCK BOLT M8X25	2
185	996274 MACHINE SCREW (W/WASHERS) M5X8	1
186	329413 SPINDLE COVER	1
187	WARNING LABEL (A)	1
188	935196 MACHINE SCREW (W/WASHERS) M4X12 (BLACK)	1
189	877839 SEAL LOCK HEX. SOCKET HD. BOLT M5X10	1
190	329431 GEAR CASE	1
191	328922 HITACHI PLATE	1
192	308259 BOLT M6X16 (W/WASHERS) BLACK	1
193	949260 MACHINE SCREW M6X25 (10 PCS)	1
194	606ZZM BALL BEARING 606ZZMC3PS2S	1
195	949455 SPRING WASHER M6 (10 PCS.)	1
196	949425 WASHER M6 (10 PCS)	1
197	329463 LOCK LEVER SPRING	1
198	329462 LOCK LEVER	1
199	322950 SPECIAL SCREW M6	2
200	321364 DUST GUIDE	1
201	335780 GUIDE HOLDER	1
201	312492 GUIDE HOLDER	1
202	998335 BOLT (LEFT HAND) W/WASHER M7X17.5 (OLD 996258)	1

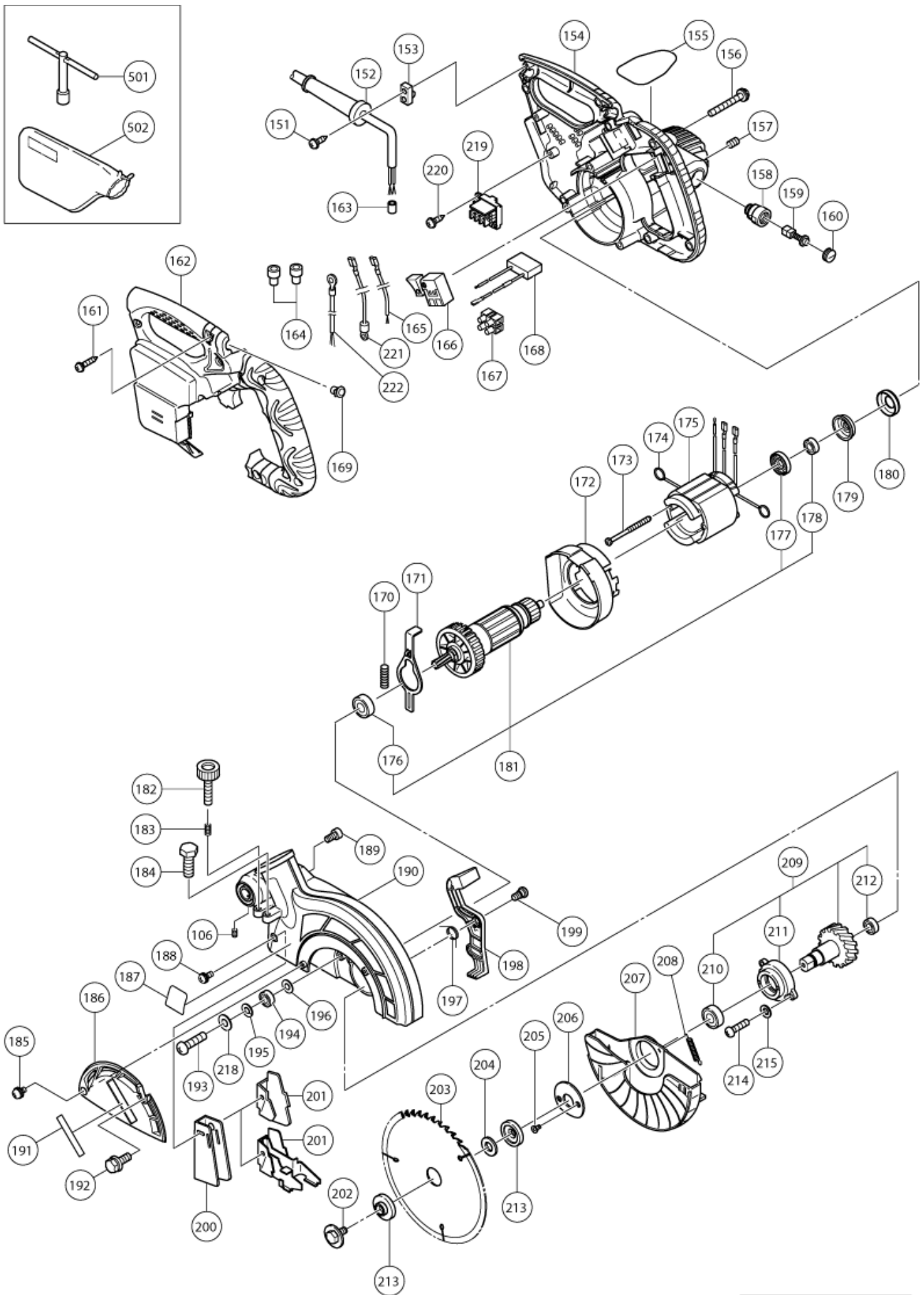
nÂ°	Artikel	Aantal gebruikt
203	TCT SAW BLADE 216MM-D25.4 HOLE-NT24	1
203	TCT SAW BLADE 216MM-D15.88 HOLE-NT24	1
203	TCT SAW BLADE 216MM-D30 HOLE-NT24	1
204	976819 COLLAR (B) FOR D25.4 HOLE	1
204	974663Z COLLAR (A) FOR D30 HOLE	1
205	949322 FLAT HD.SCREW M4X10 (10 PCS)	2
206	307731 COVER	1
207	329412 LOWER GUARD	1
208	317203 RETURN SPRING	1
209	329432 SPINDLE ASS'Y	1
210	327694 BALL BEARING 6003VVCM (NYLON RETAINER)	1
211	329435 BEARING HOLDER	1
212	608VVM BALL BEARING 608VVC2PS2L	1
213	308789 WASHER (D)	2
214	949241 MACHINE SCREW M5X20 (10 PCS.)	2
215	949454 SPRING WASHER M5 (10 PCS)	2
218	318452 WASHER (G)	1
219	336578 CONTROLLER	1
220	305720 TAPPING SCREW D4X12 (W/FLANGE)	1
221	336579 INTERNAL WIRE (H) L300 NEW	1
222	336580 INTERNAL WIRE (H) L140 NEW	1
501	940543 BOX WRENCH 10MM	1
502	322955 DUST BAG (BLACK)	1
601	963837 NYLON NUT M6	1
602	329465 PLATE	1
603	330138 SUB FENCE	1
604	949342 FLAT HD.SCREW M6X25 (10 PCS)	1
605	329464 SUB FENCE ASS'Y	1
606	321374 CROWN MOLDING STOPPER (L) ASS'Y	1
607	960017 KNOB BOLT M6X32	1
609	CROWN MOLDING STOPPER (L)	1
611	322957 VISE (B) ASS'Y	1
612	998836 KNOB BOLT M6X11	1
613	SCREW HOLDER (B)	1
614	306985 WASHER (H)	1
615	964851 BASE RUBBER	1
616	304043 MACHINE SCREW M4X10 (WWASHERS) BLACK	1
617	318967 VISE SHAFT	1

nÂ°	Artikel	Aantal gebruikt
618	321551 @ KNOB BOLT M10X54	1
619	329782 CROWN MOLDING VISE ASS'Y	1
620	974561 STOPPER	1
621	949404 WING BOLT M6X20 (10 PCS) (OLD 949404Z)	1
622	321390 CROWN MOLDING STOPPER HOLDER	1
623	CROWN MOLDING STOPPER (R)	1
624	301806 WING BOLT M6X15	1
625	321373 CROWN MOLDING STOPPER (R) ASS'Y	1
626	HOLDER ASS'Y	1
627	321549 HOLDER	2
628	949313 WING NUT M6 (10 PCS)	2
629	949556 NUT M6 (10 PCS)	2
630	967329 WASHER (H)	4
631A	322047 @ VISE PLATE	2
632	996283 HIGH TENSION BOLT M6X65	2
633	321553 GUIDE ASS'Y	1
634	998840 TCT SAW BLADE 216MM-D15.88 HOLE-NT24	1
635	998858 TCT SAW BLADE 216MM-D25.4 HOLE-NT24	1
636	998859 TCT SAW BLADE 216MM-D30 HOLE-NT24	1



Rev.3

形名
C8FSE(2/3)



形名
C8FSE(3/3)