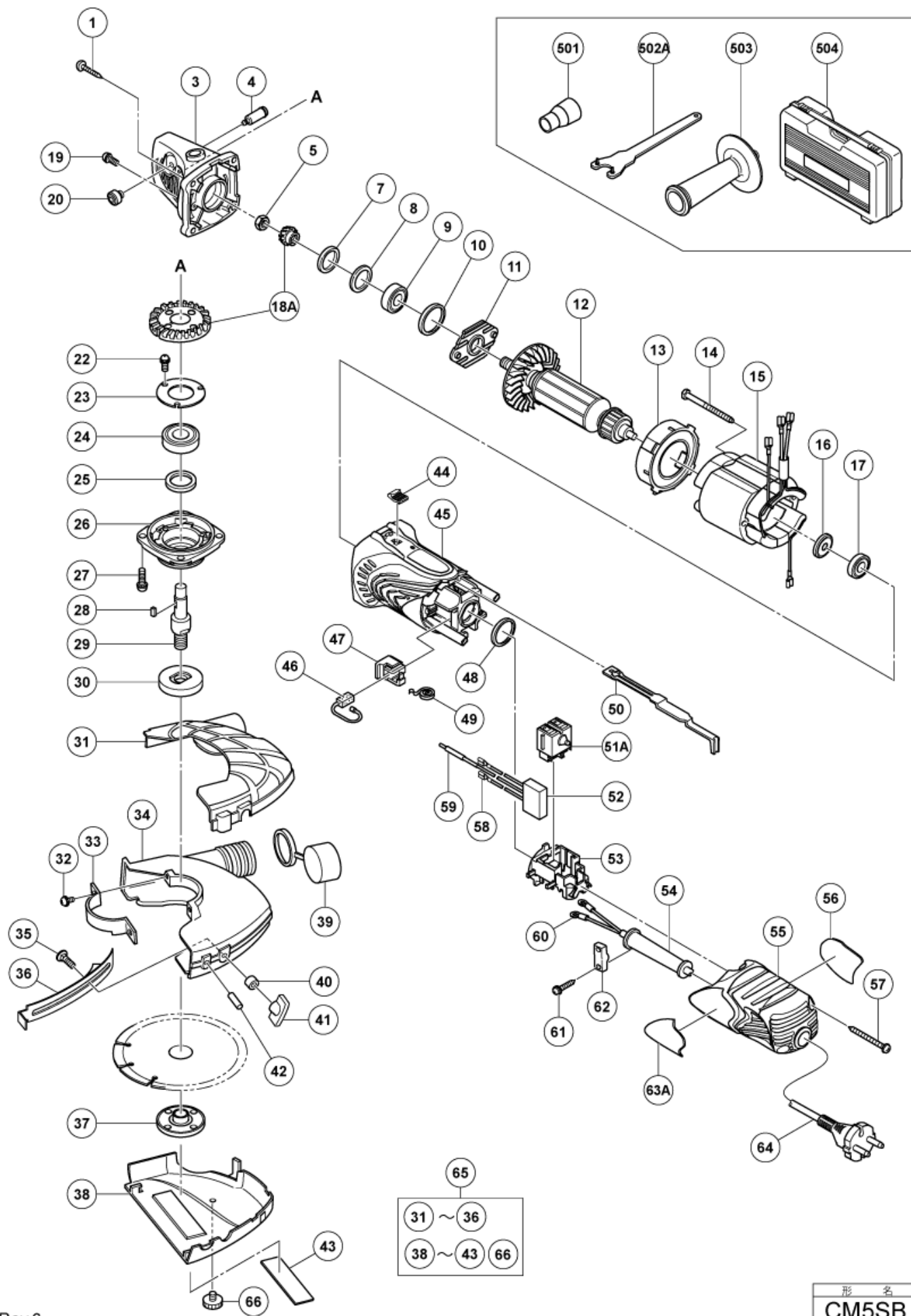


nÂ°	Artikel	Aantal gebruikt
1	320523 TAPPING SCREW D5X25 BLACK	4
3	321737 GEAR COVER ASS'Y	1
4	301943 LOCK PIN	1
5	949558 NUT M8 (10 PCS.)	1
7	308543 SEAL RING (A)	1
8	980866 WASHER (C)	1
9	629T12 BALL BEARING 629T12DDC3PS2-L	1
10	321733 RUBBER RING	1
11	321734 BEARING COVER	1
12	360734E ARMATURE 230-240 VOLT	1
13	321732 FAN GUIDE	1
14	982021 HEX. HD. TAPPING SCREW D4X70	2
15	340645E STATOR 230 VOLT	1
16	315877 DUST SEAL	1
17	608VVM BALL BEARING 608VVC2PS2L	1
18A	329054 GEAR AND PINION SET (OLD 321735)	1
19	303255 SEAL LOCK SCREW M4X10 (W/SP WASHER)	2
20	301944 PUSHING BUTTON	1
22	991207 SEAL LOCK SCREW M4X8 (W/SP WASHER)	3
23	936680 BEARING COVER (B)	1
24	6201DD BALL BEARING 6201DDUCMAV2S	1
25	308546 FELT PACKING	1
26	308545 PACKING GLAND	1
27	307046 SEAL LOCK SCREW M5X16 (W/WASHER)	4
28	944109 FEATHER KEY 3X3X8	1
29	994301 SPINDLE (A)	1
29	994302 SPINDLE (B)	1
30	937817Z WHEEL WASHER	1
30	319373 WHEEL WASHER	1
31	328743 COVER (B)	1
32	308386 MACHINE SCREW M5X16	2
33	301949 SET PLATE	1
34	328741 DUST COLLECTOR COVER	1
35	942808 BOLT (SQUARE) M6X20	1
36	328809 SLIDE GUIDE (A)	1
37	937923P WHEEL NUT 5/8"-11UNC	1
37	994324 WHEEL NUT (OLD 937818Z) (NEW 337329)	1
38	328742 COVER (A)	1

nÂ°	Artikel	Aantal gebruikt
39	324865 DUST CAP	1
40	328841 SLEEVE	1
41	314622 WING NUT M6	1
42	949785 @ ROLL PIN D6X16 (10PCS) (OLD 949785Z)	1
43	328922 HITACHI PLATE	1
44	314428 SLIDE KNOB	1
45	325050 HOUSING	1
46	999088 CARBON BRUSH	2
47	317810 BRUSH HOLDER	2
48	957754 RUBBER RING (OLD 994299)	1
49	308536 SPRING	2
50	325051 SLIDE BAR	1
51A	329057 PUSHING BUTTON SWITCH	1
52	317491 NOISE SUPPRESSOR	1
53	325054 SWITCH HOLDER	1
54	953327 CORD ARMOR D8.8	1
55	325052 TAIL COVER	1
56A	334347 HITACHI LABEL (OLD 325058)	1
57	301815 TAPPING SCREW D4X45 (W/FLANGE)	2
58	319320 FASTEN TERMINAL	2
59	314854 EARTH TERMINAL	1
60	980063 TERMINAL	2
61	984750 TAPPING SCREW (W/FLANGE) D4X16	2
62	937631 CORD CLIP	1
63	NAME PLATE	1
64	500240Z CORD FOR USA/CAN	1
64	500234Z CORD 5M 2 X 1.0 FOR INA,SUR,MLT H05VV-F (NEW 714500)	1
64	500435Z CORD 2,5M 2 X 1.0 H05VV-F W/PLUG 13A/250V GBR	1
64	500237Z CORD 2,5M 2 X 1.0 W/O PLUG (OLD 500396Z,971517Z,971675Z)	1
65	328740 DUST COLLECTION ADAPTER ASS'Y	1
66	329497 KNOB BOLT M5	1
501	320994 ADAPTER	1
502A	325491 WRENCH	1
503	994322 SIDE HANDLE	1
504	328845 CASE (B)	1
601	310338 SUPER WHEEL WASHER	1
602	DIAMOND WHEEL 125MMXD36-D22.2 HOLE	1



Rev.6

形名
CM5SB