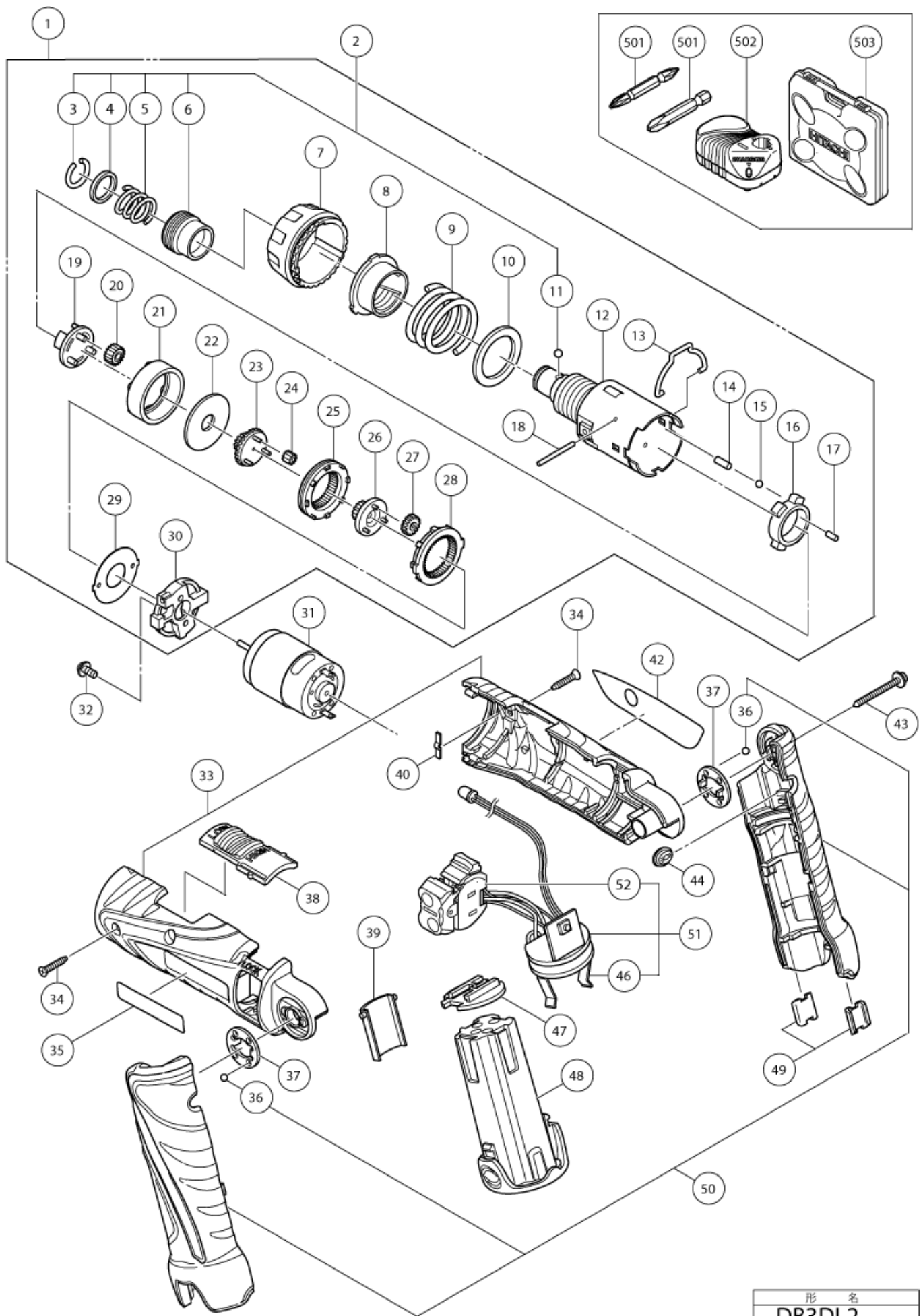


nÂ°	Artikel	Aantal gebruikt
1	332759 GEAR BOX ASS'Y	1
2	320085 GUIDE SLEEVE SET	1
3	RETAINING RING	1
4	315983 WASHER (D)	1
5	320409 GUIDE SPRING	1
6	319921 GUIDE SLEEVE (A)	1
7	332762 CLUTCH DIAL	1
8	326341 NUT	1
9	326340 SPRING	1
10	326339 WASHER (D)	1
11	319535 STEEL BALL D3.5 (10 PCS)	1
12	332761 GEAR CASE	1
13	326345 SHIFT ARM	1
14	326338 PIN SET (3 PCS)	3
16	326323 LOCK RING	1
17	326324 NEEDLE ROLLER SET (6 PCS)	6
18	326329 NEEDLE	2
19	326325 CARRIER	1
20	326327 PLANET GEAR (C) SET (3 PCS)	3
21	326326 RING GEAR	1
22	WASHER (B)	2
23	332768 PINION (C)	1
24	332766 PLANET GEAR (B) SET (3 PCS)	3
25	332767 SLIDE RING GEAR	1
26	332765 PINION (B)	1
27	326335 PLANET GEAR (A) SET (3 PCS)	3
28	326334 FIRST RING GEAR	1
29	WASHER (A)	1
30	332763 MOTOR SPACER	1
31	332755 MOTOR DC 3.6 VOLT	1
32	330755 MACHINE SCREW M2.6X8 (W/SP. WASHER)	2
33	332754 HOUSING SET (A+B)	1
34	984319 PAN HD.TAPPING SCREW D3X8	4
35	HITACHI LABEL	1
36	317788 STEEL BALL D3	3
37	326315 CLICK PLATE	2
38	332757 SHIFT KNOB	1
39	332975 HANDLE COVER	1

nÂ°	Artikel	Aantal gebruikt
40	326309 CLICK SPRING	1
43	302086 TAPPING SCREW D4X20 (W/FLANGE) BLACK	1
44	332756 BUTTON	1
46	332771 TERMINAL	2
47	326316 TERMINAL SUPPORT	1
48	326299 BATTERY EBM 315 (EUROPE,AUS,NZL)	2
49	326318 CLIP	1
50	332752 HANDLE (A+B) SET	1
50	332588 HOUSING SET (A+B) BLACK	1
51	333316 WIRING DB3DL2 (OLD 332769 + 332770)	1
52	337436 SWITCH	1
502	CHARGER (MODEL UC 3SFL)	1
503	332844 CASE	1
601	326665 HOLSTER	1



Rev.3

形名
DB3DL2