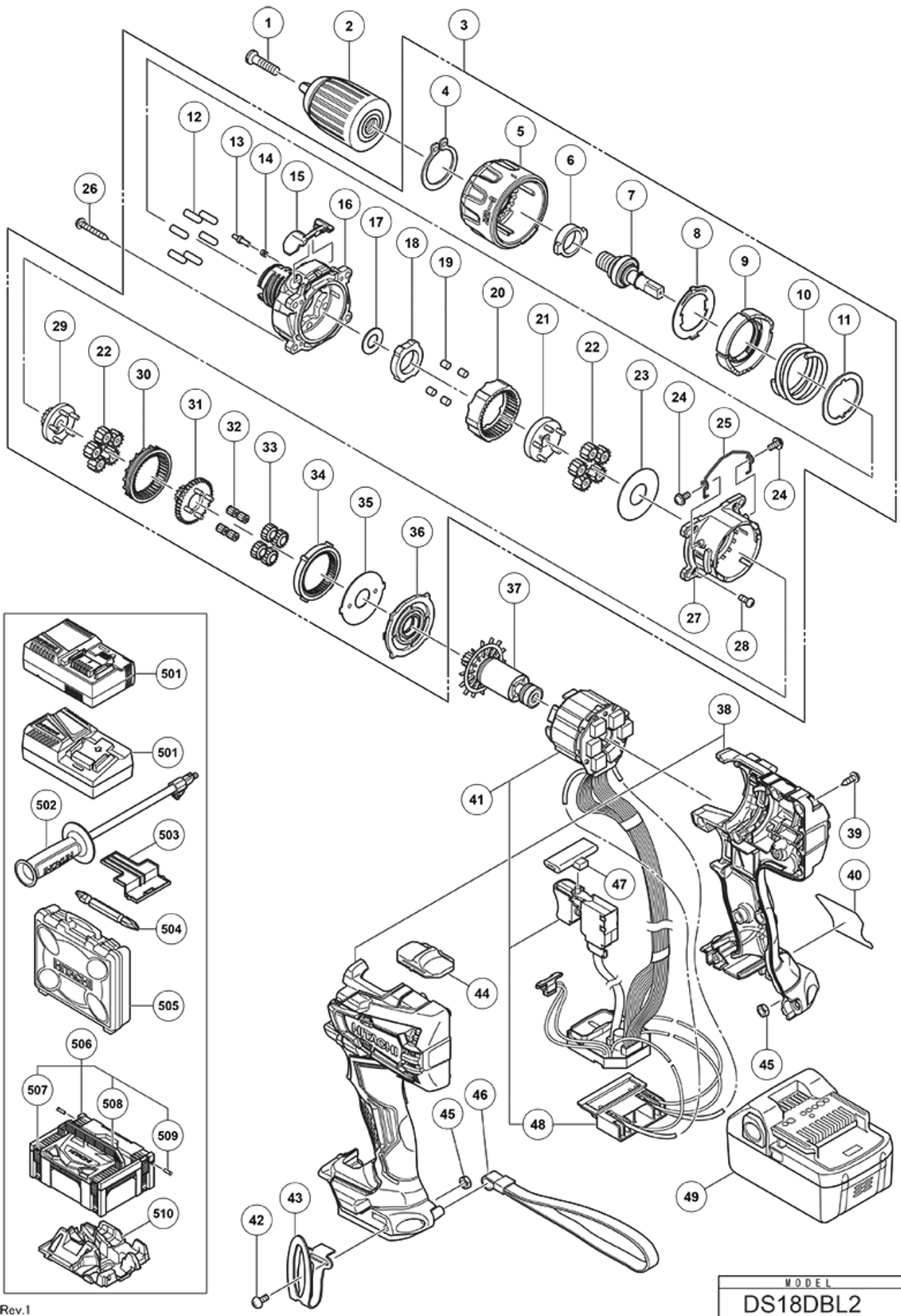


nÂ°	Artikel	Aantal gebruikt
1	995344 FLAT HD.SCREW M6X25 (A) (LEFT HAND) (NEW 744087)	1
3	339738 GEAR BOX ASS'Y	1
4	339736 RETAINING RING FOR D30 SHAFT NEW	1
5	339740 CLUTCH DIAL NEW	1
6	339741 METAL NEW	1
7	339743 SPINDLE NEW	1
8	339744 CLICK SPRING NEW	1
9	339745 NUT NEW	1
10	339746 SPRING NEW	1
11	339747 THRUST PLATE NEW	1
12	333539 PIN SET (6 PCS.)	6
13	339748 STOPPER NEW	2
14	331886 STOPPER SPRING	2
15	339749 RUBBER CAP NEW	1
16	339751 FRONT CASE NEW	1
17	328717 WASHER (B)	1
18	339752 LOCK RING NEW	1
19	319744 ROLLER	4
20	339753 RING GEAR NEW	1
21	339754 CARRIER NEW	1
22	339774 PLANET GEAR (B) SET NEW	10
23	331892 WASHER (A)	1
24	331895 SCREW SET D2 (2 PCS)	2
25	339755 SHIFT ARM NEW	1
26	305490 TAPPING SCREW D4X30 (W/FLANGE) BLACK	4
27	339756 REAR CASE NEW	1
28	320087 SCREW SET M3X12 (4 PCS.)	4
29	339757 PINION (C) NEW	1
30	339758 SLIDE RING GEAR NEW	1
31	339759 PINION (B) NEW	1
32	331926 NEEDLE BEARING SET (4 PCS.)	4
33	334441 PLANET GEAR (A) SET (4 PCS)	4
34	339760 FIRST RING GEAR NEW	1
35	339761 WASHER (B) NEW	1
36	339762 MOTOR SPACER NEW	1
37	339763 ROTOR PINION SET	1
38	339765 HOUSING (A).(B) SET	1
39	313687 TAPPING SCREW (W/FLANGE) D3X16 (BLACK)	10

nÂ°	Artikel	Aantal gebruikt
40	NAME PLATE	1
41	339766 WIRING ASS'Y NEW	1
42	327001 TRUSS HD. SCREW M4 (BLACK)	1
43	332824 HOOK	1
44	334267 SHIFT KNOB (OLD 333527)	1
45	327002 LOCK NUT M4 (BLACK)	2
46	306952 STRAP (BLACK)	1
47	339768 PUSHING BUTTON	1
48	339769 BATTERY TERMINAL	1
55	370151 DC-SPEED CONTROL SWITCH	1
501	CHARGER (MODEL UC 18YFSL)	1
501	CHARGER (MODEL UC 18YSL3)	1
502	339770 SIDE HANDLE	1
503	329897 BATTERY COVER	1
504	983006 + DRIVER BIT NO.2 65L	1
505	339778 CASE	1
506	336471 CASE ASS'Y (STACKABLE)	1
507	336472 LATCH	4
508	336473 HANDLE	1
509	336474 HINGE	2
510	339776 INNER TRAY DS14/18DBL2 DV14/18DBL2 HSC NEW AUG	1
601	955657 - DRIVER BIT (A) 3MMX70L	1
602	955659 - DRIVER BIT (A) 4MMX70L	1
603	955674 - DRIVER BIT (A) 6MMX70L	1
604	983004 + DRIVER BIT NO.1 65L	1
605	983011 + DRIVER BIT NO.3 65L	1
607	306927 SILICON RUBBER	1



MODEL  
DS18DBL2

Rev.1