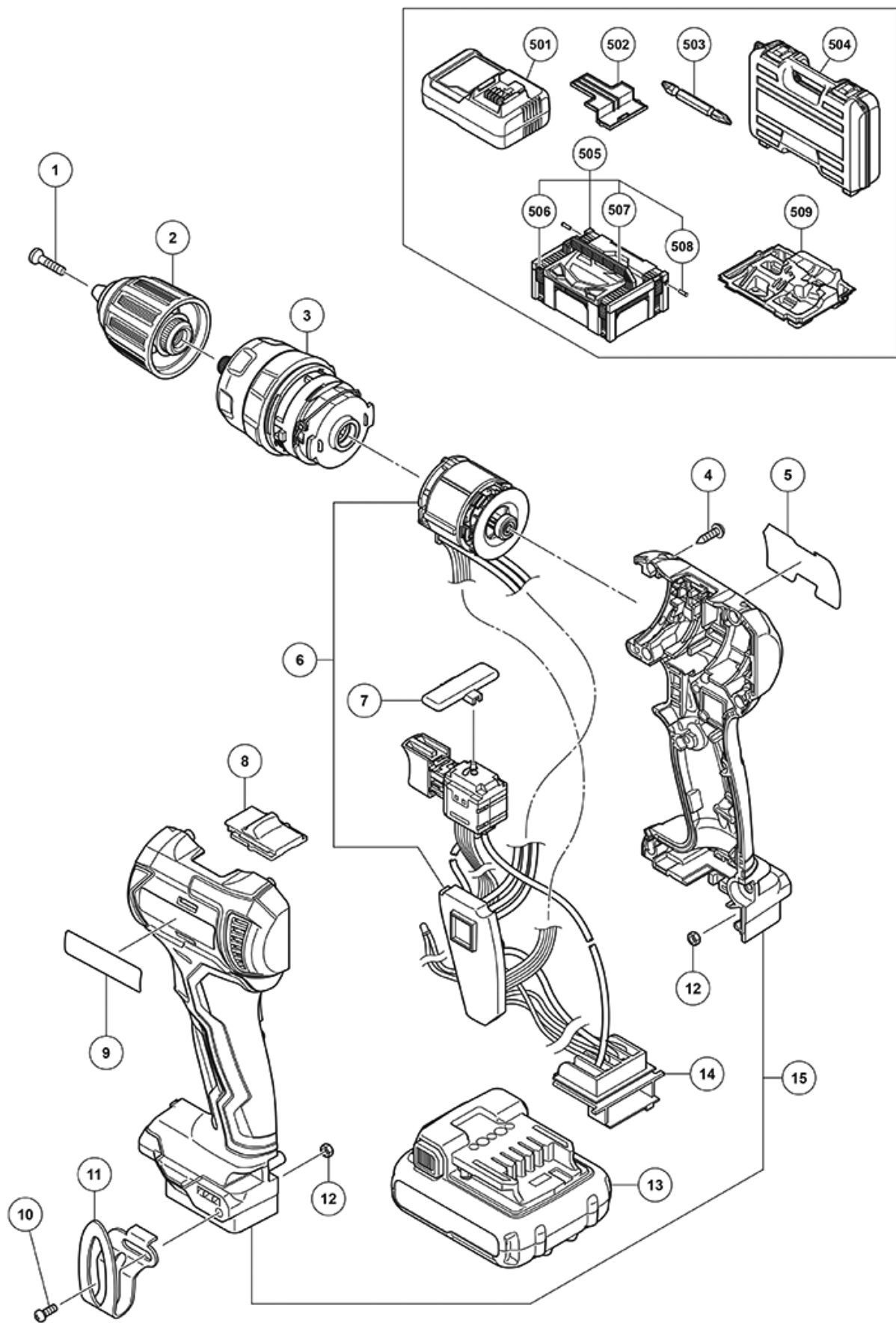


| nÂ° | Artikel | Aantal gebruikt |
|-----|--|-----------------|
| 1 | 337426 HEXALOBULAR M5 LEFT-HAND (OLD 325616) | 1 |
| 2 | 337390 DRILL CHUCK 10TLRM-N (W/O CHUCK WRENCH) | 1 |
| 3 | 374385 GEAR BOX (C) NEW | 1 |
| 4 | 313687 TAPPING SCREW (W/FLANGE) D3X16 (BLACK) | 8 |
| 6 | 374381 MOTOR SET NEW | 1 |
| 7 | 374399 PUSHING BUTTON NEW | 1 |
| 8 | 374382 SHIFT KNOB NEW | 1 |
| 10 | 337357 TRUSS HD. SCREW M4 (BLACK) NEW | 1 |
| 11 | 372229 HOOK NEW | 1 |
| 12 | 327002 LOCK NUT M4 (BLACK) | 2 |
| 13 | 374404 BATTERY BSL 1240M (EUROPE) | 2 |
| 14 | 374387 BATTERY TERMINAL NEW | 1 |
| 15 | 374379 HOUSING SET (A+B) NEW | 1 |
| 501 | CHARGER (MODEL UC 12SL) | 1 |
| 502 | 374778 BATTERY COVER NEW | 1 |
| 503 | 983006 + DRIVER BIT NO.2 65L | 1 |
| 504 | 336642 CASE | 1 |
| 505 | 336471 CASE ASS'Y (STACKABLE) | 1 |
| 506 | 336472 LATCH | 4 |
| 507 | 336473 HANDLE | 1 |
| 508 | 336474 HINGE | 2 |
| 509 | 374779 INNER TRAY HSC NEW | 1 |



Rev.1

MODEL
DV12DD