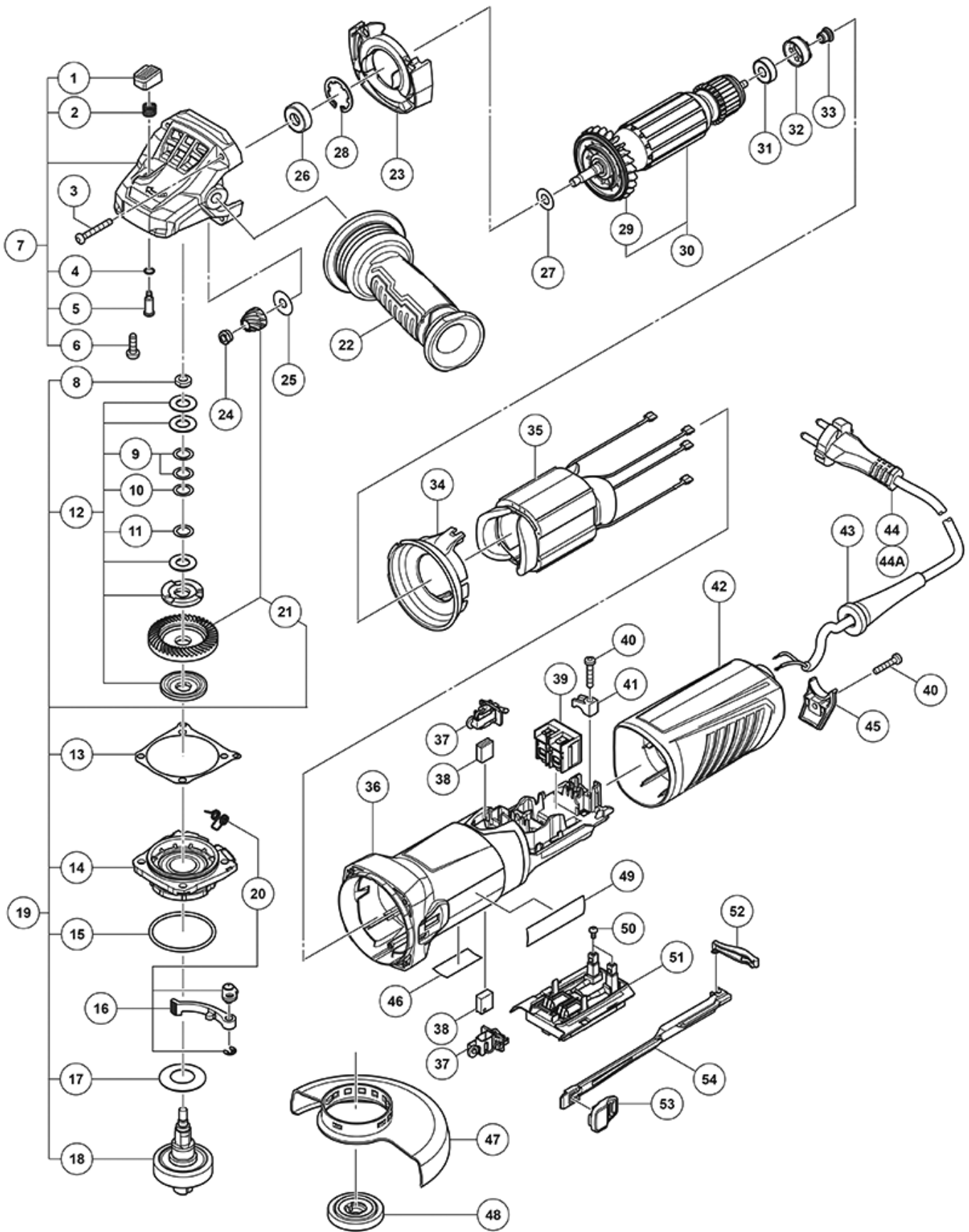


nÂ°	Artikel	Aantal gebruikt
*44	372895 CORD	1
1	372945 PUSHING BUTTON	1
2	372944 SPRING (A)	1
3	372921 TORX TAPPING SCREW D4	4
4	372943 O-RING (A)	1
5	372946 LOCK PIN	1
6	372919 TORX SCREW M5	4
7	372932 GEAR COVER ASS'Y	1
8	372928 NUT M7	1
9	372924 WASHER 10.2X14.8X0.2	2
10	372925 WASHER 10.2X14.8X0.1	1
11	372926 WASHER 10.2X14.8X0.5	1
12	372931 FRICTION WASHER ASS'Y	1
13	372918 GASKET	1
14	372927 PACKING GLAND	1
15	372959 O-RING (B)	1
16	372941 LEVER SET	1
17	372949 WASHER	1
18	372923 SPINDLE	1
19	372934 GEAR AND SPINDLE SET	1
20	372916 SPRING CLIP	1
21	372929 BEVEL GEAR.PINION SET	1
22	336865 SIDE HANDLE (VIBRATION-ABSORBING) (OLD 325496)	1
23	372901 BAFFLE	1
24	372909 NUT M6	1
25	372908 WASHER 7.05X19.5X0.2	1
26	372907 BALL BEARING 8X22X7 608LHV	1
27	372906 WASHER 8.05X17X0.4	1
28	372942 RETAINING RING	1
29	372938 FAN	1
30	372888 ARMATURE ASS'Y 230V-240V	1
31	372904 BALL BEARING 6X19X6	1
32	372905 RUBBER BUSHING	1
33	372947 MAGNET	1
34	372900 FAN GUIDE	1
35	372890 STATOR ASS'Y 230V-240V	1
36	372898 HOUSING	1
37	372936 BRUSH HOLDER SET (1 PAIR)	2

nÂ°	Artikel	Aantal gebruikt
38	372939 CARBON BRUSH SET (1 PAIR)	2
39	372892 SWITCH	1
40	371270 ST4.2X22 TAPPING SCREW NEW	2
41	371271 CORD CLIP NEW	1
42	372911 TAIL COVER	1
43	372894 CORD ARMOR	1
45	372912 END CAP	1
46	NAME PLATE	1
47	372915 WHEEL GUARD	1
48	372702 WHEEL NUT	1
49	BRAND LABEL	1
50	372917 TORX SCREW M3	2
51	372902 CONTROLLER	1
52	372948 PIVOTING BAR	1
53	372914 SLIDE SWITCH KNOB	1
54	372910 SLIDE BAR	1
601	372701 CUTTING GUARD CLIP	1
602	372960 GREASE (B) 100G	1
603	371300 GREASE(SF011) NEW	1



Rev.3

MODEL
G13YG