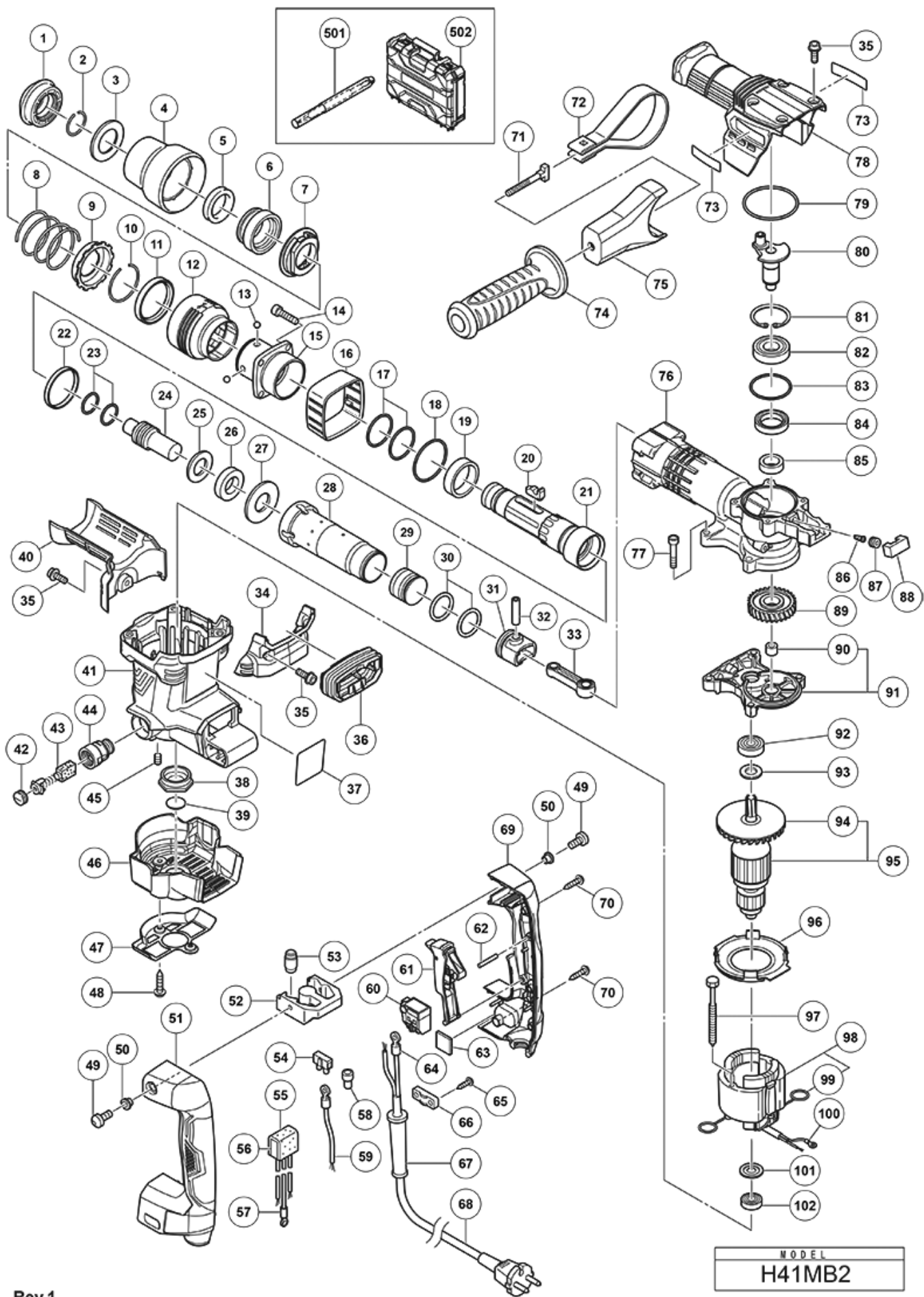


| nÂ° | Artikel | Aantal gebruikt |
|-----|---|-----------------|
| 1 | 337562 FRONT CAP NEW JUL | 1 |
| 2 | 318590 STOPPER RING | 1 |
| 3 | 370172 RETAINER WASHER | 1 |
| 4 | 370173 GRIP | 1 |
| 5 | 337559 RETAINER DAMPER (A) NEW JUL | 1 |
| 6 | 337558 BIT LOCK HOLDER NEW JUL | 1 |
| 7 | 370242 SPRING HOLDER (A) | 1 |
| 8 | 370243 RETAINER SPRING | 1 |
| 9 | 370244 SPRING HOLDER (B) | 1 |
| 10 | 333255 STOPPER RING | 1 |
| 11 | 373288 BALL HOLDER | 1 |
| 12 | 373279 GRIP (B) | 1 |
| 13 | 959150 STEEL BALL D6.35 (10 PCS.) | 4 |
| 14 | 981942 PACKING BOLT | 4 |
| 15 | 373280 FRONT COVER | 1 |
| 16 | 373236 TOP COVER | 1 |
| 17 | 980879 O-RING (S-34) | 2 |
| 18 | 373251 O-RING (I.D 44.5) | 1 |
| 19 | 373281 RETAINER DAMPER (B) | 1 |
| 20 | 370654 BIT LOCK NEW | 2 |
| 21 | 373284 RETAINER SLEEVE | 1 |
| 22 | 373249 DAMPER (C) | 1 |
| 23 | 313396 O-RING (C) | 2 |
| 24 | 373285 SECOND HAMMER | 1 |
| 25 | 373286 DAMPER WASHER | 1 |
| 26 | 321289 DAMPER | 1 |
| 27 | 373287 DAMPER HOLDER | 1 |
| 28 | 374774 CYLINDER | 1 |
| 29 | 373283 STRIKER | 1 |
| 30 | 320823 O-RING | 2 |
| 31 | 320824 PISTON | 1 |
| 32 | 373256 PISTON PIN | 1 |
| 33 | 373275 CONNECTING ROD | 1 |
| 34 | 373237 BACK COVER | 1 |
| 35 | 998485 HEX.SOCKET HD.BOLTM5X14 (W/FLANGE) | 7 |
| 36 | 373252 BELLOWS | 1 |
| 38 | 310111 BEARING BUSH (B) | 1 |
| 39 | 333263 DUST SEAL | 1 |

| nÂ° | Artikel | Aantal gebruikt |
|-----|---|-----------------|
| 40 | 373234 HOOD | 1 |
| 41 | 373276 HOUSING ASS'Y | 1 |
| 42 | 945161 BRUSH CAP | 2 |
| 43 | 999043 CARBON BRUSH (1 PAIR) | 1 |
| 43 | 999073 CARBON BRUSH A.S. TYPE (OLD 981612Z) | 1 |
| 44 | 958900 BRUSH HOLDER | 2 |
| 45 | 938477 HEX.SOCKET SET SCREW M5X8 | 2 |
| 46 | 373239 TAIL COVER | 1 |
| 47 | 373248 PLATE | 1 |
| 49 | 373263 SEAL LOCK BUTTON BOLT M5 | 2 |
| 50 | 991711 DISTANCE PIECE (B) | 2 |
| 51 | 373242 HANDLE (A) | 1 |
| 52 | 373231 TRANSATORY UNIT | 1 |
| 53 | 310124 HANDLE DAMPER | 4 |
| 54 | 938307 PILLAR TERMINAL | 1 |
| 55 | 317492 SUPPORT (B) | 1 |
| 56 | 374463 NOISE SUPPRESSOR (V) | 1 |
| 57 | 961419Z TERMINAL | 1 |
| 58 | 959141 CONNECTOR 50092 (10 PCS) (OLD 939558) | 1 |
| 59 | 981974 INTERNAL WIRE | 1 |
| 60 | 371171 SWITCH NEW | 1 |
| 61 | 373241 TRIGGER | 1 |
| 62 | 949890 PIN D3X20 (10 PCS) | 1 |
| 63 | 374462 CUSHION RUBBER | 2 |
| 64 | 930804 TERMINAL M4.0 (10 PCS.) | 1 |
| 65 | 984750 TAPPING SCREW (W/FLANGE) D4X16 | 2 |
| 66 | 960266 CORD CLIP | 1 |
| 67 | 940778 CORD ARMOR D10.7 | 1 |
| 67 | 958049 CORD ARMOR D8.2 (OLD 958049Z) | 1 |
| 68 | 500390Z CORD 5M 2 X 1.5 FOR HOL (NEW 714520) | 1 |
| 68 | 500446Z CORD FOR GBR 230V | 1 |
| 68 | 500477Z CORD | 1 |
| 68 | 500408Z CORD | 1 |
| 68 | 500434Z CORD | 1 |
| 68 | 500235Z CORD 5M 2 X 1.0 FOR EUROPE (NEW 714500) | 1 |
| 68 | 500457Z CORD | 1 |
| 68 | 500465Z CORD 4M 2 X 1.0 H07RN-F W/PLUG 16A CEE FORM 2P+E 110 VOLT | 1 |
| 69 | 373243 HANDLE (B) | 1 |

| nÂ° | Artikel | Aantal gebruikt |
|-----|---|-----------------|
| 70 | 301653 TAPPING SCREW (W/FLANGE) D4X20 (BLACK) | 2 |
| 71 | 331247 HANDLE BOLT | 1 |
| 72 | 373245 BAND | 1 |
| 74 | 330209 SIDE HANDLE | 1 |
| 75 | 373244 MOUNT | 1 |
| 76 | 373289 CYLINDER CRANK CASE ASS'Y | 1 |
| 77 | 322494 SEAL LOCK HEX. SOCKET HD. BOLT M6X40 NEW | 4 |
| 78 | 374474 CRANK COVER | 1 |
| 79 | 373250 O-RING (I.D 53.9) | 1 |
| 80 | 373246 CRANK SHAFT | 1 |
| 81 | 948391 RETAINING RING FOR D40 HOLE | 1 |
| 82 | 6203DD BALL BEARING 6203DDUCMAV2S | 1 |
| 83 | 996363 O-RING (S-40) | 1 |
| 84 | 310119 OIL SEAL 12Z 25X35X7 | 1 |
| 85 | 373254 DISTANCE RING | 1 |
| 86 | 995396 VALVE | 1 |
| 87 | 338313 CAP SCREW NEW | 1 |
| 88 | 374461 FELT | 1 |
| 89 | 373255 FIRST GEAR | 1 |
| 90 | 373278 NEEDLE BEARING | 1 |
| 91 | 373271 GEAR COVER ASS'Y | 1 |
| 92 | 6201DD BALL BEARING 6201DDUCMAV2S | 1 |
| 93 | 302429 DUST WASHER (B) | 1 |
| 94 | 374464 FAN | 1 |
| 95 | 361080E ARMATURE ASS'Y 220V-230V | 1 |
| 95 | 361080D ARMATURE ASS'Y 127V | 1 |
| 95 | 361080F ARMATURE ASS'Y 240V | 1 |
| 95 | 361080C ARMATURE ASS'Y 110V | 1 |
| 95 | 361080U ARMATURE ASS'Y 120V | 1 |
| 96 | 373238 FAN GUIDE | 1 |
| 97 | 953121 HEX.HD. TAPPING SCREW D5X50 | 2 |
| 98 | 340995G STATOR ASS'Y 120V | 1 |
| 98 | 340995C STATOR ASS'Y 110V | 1 |
| 98 | 340995H STATOR ASS'Y 110V | 1 |
| 98 | 340995E STATOR ASS'Y 220V-230V | 1 |
| 98 | 340995F STATOR ASS'Y 240V | 1 |
| 98 | 340995D STATOR ASS'Y 127V | 1 |
| 98 | 340995J STATOR ASS'Y 220V-230V | 1 |

| nÂ° | Artikel | Aantal gebruikt |
|-----|---|-----------------|
| 99 | 930703 BRUSH TERMINAL | 2 |
| 100 | 980063 TERMINAL | 1 |
| 101 | 982631 WASHER (A) | 1 |
| 102 | 608VVM BALL BEARING 608VVC2PS2L | 1 |
| 501 | 313471 BULL POINT (SDS MAX) 280L | 1 |
| 502 | 373405 CASE | 1 |
| 601 | 981840 GREASE (FG-6A) (30G) | 1 |
| 602 | 308471 GREASE FOR HAMMER DRILL (70G) | 1 |
| 603 | 980927 GREASE FOR IMPACT DRILL (FG-6A) (500G) | 1 |
| 604 | 313472 BULL POINT (SDS MAX) 400L | 1 |
| 605 | 313473 COLD CHISEL (SDS MAX) 280MM | 1 |
| 606 | 313474 COLD CHISEL (SDS MAX) 400MM | 1 |
| 607 | 313475 CUTTER (SDS MAX) W50X400L | 1 |
| 608 | 313476 SCOOP (SDS MAX) 400L | 1 |
| 609 | 313477 BUSHING TOOL (SDS MAX) | 1 |
| 610 | 313478 RAMMER (SDS MAX) 150MMX150MM | 1 |
| 611 | 313479 SHANK (SDS MAX)FOR RAMMER,BUSHING TOOL | 1 |



Rev.1