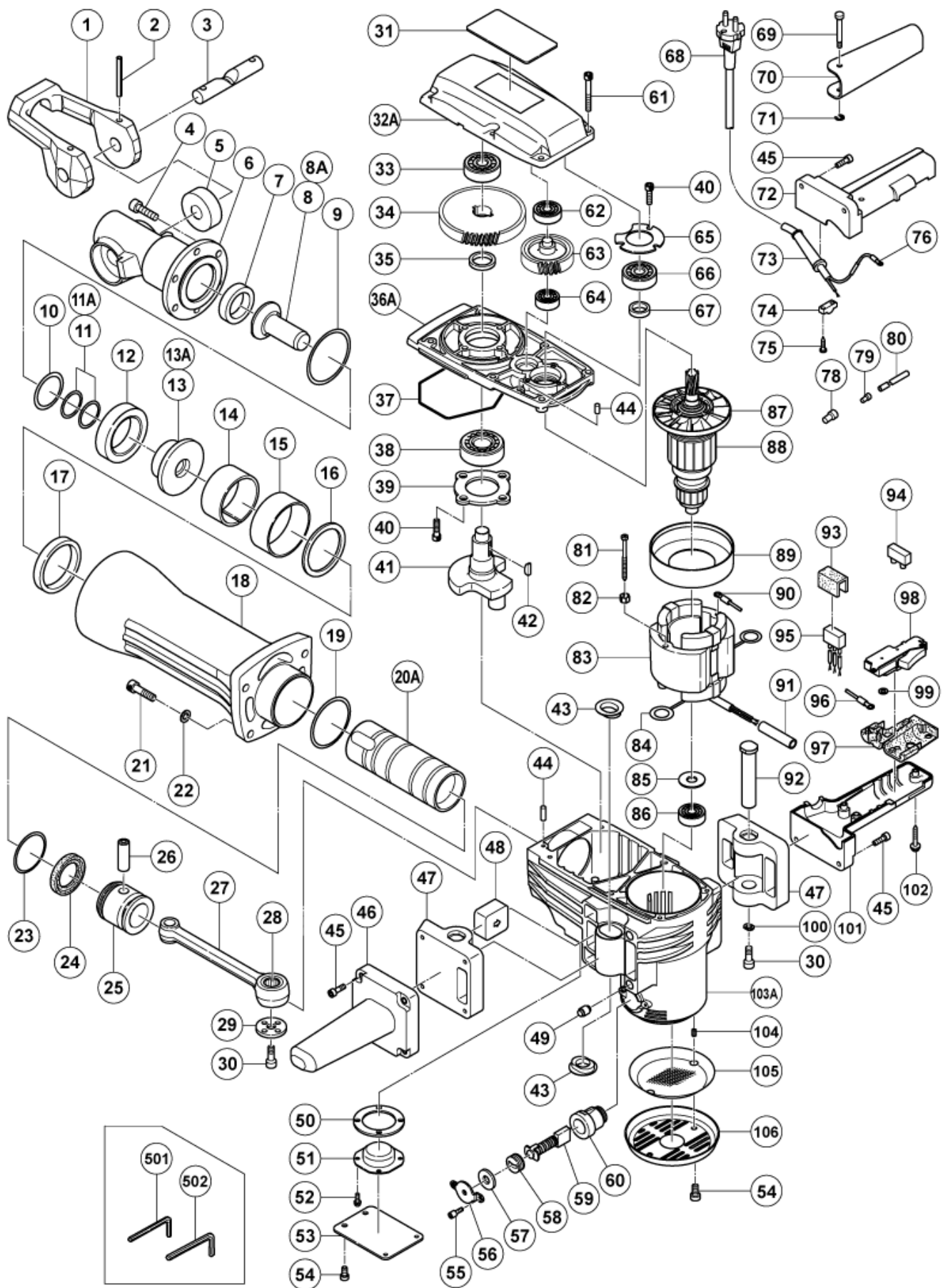


nÂ°	Artikel	Aantal gebruikt
1	318221 RETAINER	1
2	994416 ROLL PIN D6X55	2
3	318222 LEVER PIN	1
4	306437 NYLOCK HEX. SOCKET HD.BOLT M8X30	6
5	305621 RETAINER DAMPER	2
6	318223 FRONT COVER	1
7	996369 DAMPER (B)	1
8A	324601 SECOND HAMMER	1
8	996367 SECOND HAMMER	1
9	998428 O-RING (C)	1
10	998427 O-RING (B)	1
11A	323731 O-RING (I.D.26.5)	2
11	998419 O-RING (E)	1
12	998433 DAMPER (A)	1
13A	323730 SHANK SLEEVE	1
13	998418 SHANK SLEEVE	1
14	956963 MOUTH	1
15	956962 MOUTH COVER	1
16	956961 MOUTH WASHER	1
17	956960 URETHANE RING	1
18	320489 CYLINDER CASE	1
19	956996 O-RING (1AS-60)	1
20A	323724 STRIKER	1
21	306163 NYLOCK BOLT M8X35 (OLD 993125)	4
22	949433 BOLT WASHER M8 (10 PCS.)	4
23	998414 O-RING (A)	1
24	998415 OIL SEAL (A)	1
25	998413 PISTON	1
26	944928 PISTON PIN	1
27	998434 CONNECTING ROD ASS'Y (OLD 956953)	1
28	944921 NEEDLE BEARING NTN 8E-NK18/20 RDO	1
29	956955 CRANK WASHER	1
30	996364 SEAL LOCK HEX. SOCKET HD. BOLT M8X16	3
31	NAME PLATE	1
32A	336267 GEAR COVER (OLD 319360)	1
33	6302VV BALL BEARING 6302VVCMP2S	1
34	944916 FINAL GEAR	1
35	944915 DISTANCE RING (B)	1

nÂ°	Artikel	Aantal gebruikt
36A	332181 INNER COVER H65SC METALLIC SILVER GREEN (OLD 998412)	1
37	957143 SEAL RING (A)	1
38	6205DD BALL BEARING 6205DDCMPS2L	1
39	956949 BEARING COVER	1
40	990079 SEAL LOCK HEX. SOCKET HD. BOLT M5X16	7
41	998430 CRANK SHAFT	1
42	956850 WOOD-RUFF KEY 4X16	2
43	318655 DAMPER (B)	4
44	944918 PIN D5X15.8	2
45	993496 SEAL LOCK HEX. SOCKET HD. BOLT M6X30	8
46	305633 SIDE HANDLE	1
47	319365 HANDLE HOLDER	2
48	319364 HANDLE DAMPER (B)	2
49	310124 HANDLE DAMPER	4
50	956969 HOLDER SEAL	1
51	998416 HOLDER	1
52	987203 SEAL LOCK SCREW M4X12 (W/SP WASHER)	4
53	998417 COVER PLATE	1
54	991690 SEAL LOCK HEX. SOCKET HD. BOLT M5X12	6
55	983162 SEAL LOCK HEX. SOCKET HD. BOLT M4X12	4
56	956972 CAP COVER	2
57	944960 CAP RUBBER	2
58	940540 BRUSH CAP	2
59	999086 CARBON BRUSH A.S. TYPE (1 PAIR)	2
60	956984 BRUSH HOLDER (OLD 957001)	2
61	986940 SEAL LOCK HEX. SOCKET HD. BOLT M6X45	6
62	6201VV BALL BEARING 6201VVCMP2L	1
63	956948 COUNTER GEAR	1
64	6001VV BALL BEARING 6001VV	1
65	944911 BEARING COVER (A)	1
66	6203DD BALL BEARING 6203DDUCMAV2S	1
67	944907 DISTANCE RING (A)	1
68	500390Z CORD 5M 2 X 1.5 FOR HOL (NEW 714520)	1
68	500408Z CORD	1
68	500450Z CORD 230 VOLT GBR	1
68	500466Z CORD 3M 2 X 1,5 H07RN-F W/PLUG 16A CEE FORM 2P+E FOR GBR	1
68	500247Z CORD (NEW 714500)	1
69	992870 PIN	1

nÂ°	Artikel	Aantal gebruikt
70	992869 SWITCH LEVER	1
71	968643 RETAINING RING (E-TYPE) FOR D4 SHAFT	1
72	305636 HANDLE (A)	1
73	958049 CORD ARMOR D8.2 (OLD 958049Z)	1
73	940778 CORD ARMOR D10.7	1
74	960266 CORD CLIP	1
75	982095 TAPPING SCREW D4X20 (W/WASHER) (OLD 996255)	2
76	930804 TERMINAL M4.0 (10 PCS.)	1
76	980063 TERMINAL	1
78	959141 CONNECTOR 50092 (10 PCS) (OLD 939558)	2
79	959140 CONNECTOR 50091 (10 PCS.)	1
80	996438 VINYL TUBE (A) I.D.7XTO.5X50	2
81	960251 HEX.HD. TAPPING SCREW D5X65	2
82	956764 SPECIAL WASHER	2
83	340488F STATOR ASS'Y 240V	1
83	340488C @ STATOR ASS'Y 110 VOLT	1
83	340488E STATOR ASS'Y 230 VOLT	1
84	945932 BRUSH TERMINAL	2
85	944954 BEARING WASHER	1
86	6201DD BALL BEARING 6201DDUCMAV2S	1
87	996370 FAN	1
88	360286E ARMATURE ASS'Y 220-230 VOLT	1
88	360286C ARMATURE ASS'Y 110-115 VOLT	1
88	360286F ARMATURE ASS'Y 240 VOLT	1
89	306098 FAN GUIDE	1
90	986277 INTERNAL WIRE (OLD 986152)	1
91	319363 VINYL TUBE L75	1
92	319366 HANDLE PIN	2
93	930153 SUPPORT (B)	1
94	938307 PILLAR TERMINAL	1
95	317491 NOISE SUPPRESSOR	1
96	306681 INTERNAL WIRE FOR GBR	1
96	981974 INTERNAL WIRE	1
97	990082 SUPPORT (E) (NEW 312408)	1
98	992891 SWITCH (A) (1P SCREW TYPE) W/O LOCK	1
99	949423 WASHER M4 (10 PCS)	1
100	319367 @ WASHER	2
101	305631 HANDLE (B)	1

nÂ°	Artikel	Aantal gebruikt
102	301653 TAPPING SCREW (W/FLANGE) D4X20 (BLACK)	2
103A	336268 HOUSING ASS'Y (METALLIC SILVER GREEN) (OLD 319361)	1
104	938477 HEX.SOCKET SET SCREW M5X8	2
105	319362 MESH	1
106	306099 TAIL COVER	1
501	943277 HEX. BAR WRENCH 3MM	1
502	872422 HEX. BAR WRENCH 6MM	1
601	996373 COLD CHISEL 410MM (HEX. SHANK TYPE)	1
602	985231 COLD CHISEL 520MM (HEX. SHANK TYPE)	1
603	996374 CUTTER W75X410MM (HEX. SHANK TYPE)	1
604	985232 CUTTER W75X520MM (HEX. SHANK TYPE)	1
605	985233 SCOOP 546L (HEX. SHANK TYPE)	1
606	996372 BULL POINT 410MM (HEX. SHANK TYPE)	1
607A	324729 SERVICE KIT H65SA	1
607	306441 SERVICE KIT H65SB	1
608	980927 GREASE FOR IMPACT DRILL (FG-6A) (500G)	1
609	981840 GREASE (FG-6A) (30G)	1
610	308471 GREASE FOR HAMMER DRILL (70G)	1
611	930035 GREASE (SEP-3A) (100G) (NEW 714831)	1



REV.2

形名
H70SD