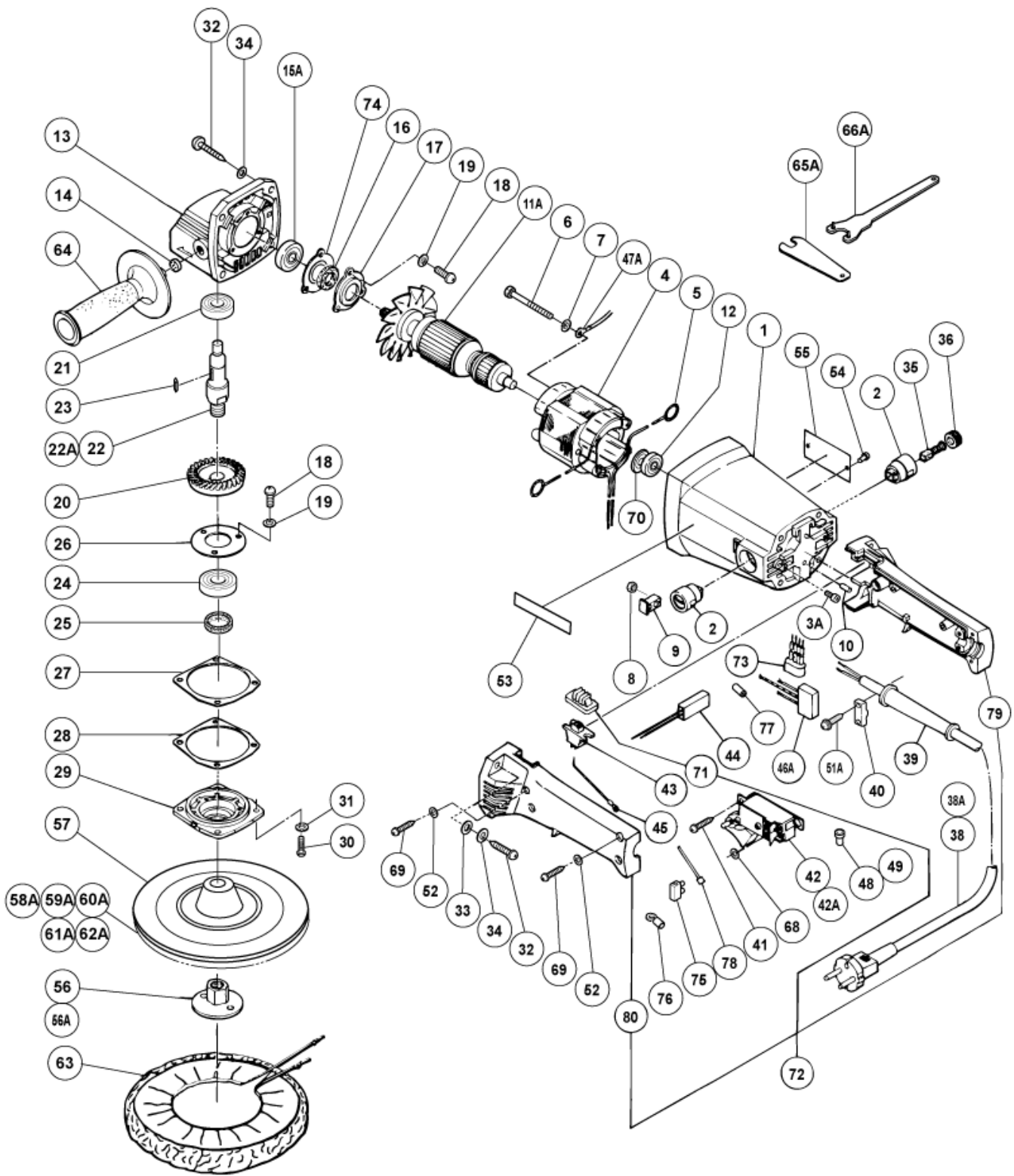


nÂ°	Artikel	Aantal gebruikt
	OPTIONAL ACCESSORIES	0
1	953230 HOUSING ASS'Y	1
1	953268Z HOUSING ASS'Y	1
2	958900 BRUSH HOLDER	2
2	981586 BRUSH HOLDER	2
3A	961681 HEX.SOCKET SET SCREW M4X5	2
4	953231L STATOR ASS'Y 220 VOLT	1
4	953231K STATOR ASS'Y 220V-230V	1
4	953231E STATOR ASS'Y 220-230 VOLT	1
4	953231H STATOR ASS'Y 240V	1
4	953231F STATOR ASS'Y 240 VOLT	1
4	953231M STATOR ASS'Y 220V-230V	1
4	953231J STATOR ASS'Y 220V-230V	1
4	953231N STATOR ASS'Y 220V	1
4	953231C STATOR ASS'Y 110-120 VOLT	1
5	930703 BRUSH TERMINAL	2
6	949233 MACHINE SCREW M5X55 (10 PCS)	2
8	949555 NUT M5 (10 PCS)	2
9	953232 NUT COVER	2
10	931701 BEARING LOCK	1
11A	953297F ARMATURE ASS'Y 240 VOLT (OLD 953262F)	1
11A	953297E ARMATURE ASS'Y 220-230 VOLT (OLD 953297G)	1
11A	953297C ARMATURE ASS'Y 110-120 VOLT (OLD 953262C)	1
12	608VVM BALL BEARING 608VVC2PS2L	1
13	953234 GEAR COVER ASS'Y	1
14	937033 FELT WASHER	1
15A	6002VV BALL BEARING 6002VVCMP2L	1
16	953235 FELT PACKING (A) (OLD 953235Z)	1
17	953236 BEARING COVER	1
18	949217 MACHINE SCREW M4X12 (10 PCS)	6
19	949453 SPRING WASHER M4 (10 PCS)	6
20	953237 GEAR	1
21	6200VV BALL BEARING 6200VVCMP2L	1
22	953238Z SPINDLE	1
22A	953380 SPINDLE ASS'Y	1
22A	953248P SPINDLE	1
23	940533 FEATHER KEY 3X3X10	1
24	6202VV BALL BEARING 6202VVCMP2S	1

nÂ°	Artikel	Aantal gebruikt
25	938403 FELT PACKING	1
26	937077 BEARING COVER (A)	1
27	953239 SEAL PACKING (A) (OLD 953239Z)	1
28	953240 THRUST WASHER (B)	2
29	953241 PACKING GLAND	1
30	949239 MACHINE SCREW M5X16 (10 PCS)	4
32	937807 TAPPING SCREW D5X25 (NEW 985620)	8
33	949424 WASHER M5 (10 PCS)	4
34	949454 SPRING WASHER M5 (10 PCS)	2
35	999043 CARBON BRUSH (1 PAIR)	2
36	945161 BRUSH CAP	2
36	961781 BRUSH CAP	2
38	500447Z CORD 2,5M 2 X 1.0 H05VV-F (OLD 500395Z)	1
38	500234Z CORD 5M 2 X 1.0 FOR INA,SUR,MLT H05VV-F (NEW 714500)	1
38	500423Z @ CORD 2,5M 2 X 1.0 H05VV-F W/PLUG 13A/250V (OLD 500223Z)	1
38	500420Z CORD FOR SAU (127 VOLT)	1
38	500201Z CORD 3M 3 X 1,5 H05VV-F (NEW 950543Z)	1
38	500484Z CORD	1
38A	500435Z CORD 2,5M 2 X 1.0 H05VV-F W/PLUG 13A/250V GBR	1
38	500439Z CORD FOR AUS (OLD 500226Z/500411Z)	1
38	500231Z CORD 2,5M 2 X 0.75 H05VV-F W/O PLUG (NEW 500237Z)	1
38	500240Z CORD FOR USA/CAN	1
38A	500455Z CORD	1
39	940778 CORD ARMOR D10.7	1
39	958049 CORD ARMOR D8.2 (OLD 958049Z)	1
40	937631 CORD CLIP	1
41	954017 TAPPING SCREW D4X12	2
42A	956632 SWITCH (OLD 956632H)	1
42	953249P SWITCH (B) W/O LOCK	1
42	931573 SWITCH (2P PILLAR TYPE) W/LOCK	1
42	986201 SWITCH (A) (1P SCREW TYPE) W/LOCK	1
43	953261 SLIDE SWITCH (1P SOLDER TYPE)	1
43	953266Z SLIDE SWITCH ASS'Y (1P SOLDER TYP	1
43	953383 SLIDE SWITCH (1P SOLDER TYPE)	1
44	956613 @ DIODE 100V-127V	1
44	953267Z DIODE 110V-115V	1
44	957556 DIODE	1
44	990373 CONTROLLER CIRCUIT	1

nÂ°	Artikel	Aantal gebruikt
45	INTERNAL WIRE	1
45	953251P INTERNAL WIRE ASS'Y	1
45	953243 INTERNAL WIRE	1
46A	994273 NOISE SUPPRESSOR	1
47A	981010 @ INTERNAL WIRE (OLD 981010Z)	1
48	959140 CONNECTOR 50091 (10 PCS.)	2
49	959141 CONNECTOR 50092 (10 PCS) (OLD 939558)	1
51A	984750 TAPPING SCREW (W/FLANGE) D4X16	2
52	949423 WASHER M4 (10 PCS)	3
53	957561 HITACHI LABEL (NEW 876859)	1
54	949509 @ RIVET D2.5X3.2 (10 PCS) (OLD 949509Z)	2
55	NAME PLATE	1
56A	953381 WASHER NUT	1
56	953246Z WASHER NUT M14	1
56	953254P WASHER NUT 5/8"-11UNC	1
57	953247Z RUBBER PAD (D14 HOLE)	1
57	953255 RUBBER PAD (D16 HOLE)	1
58A	314086 SANDING DISCS 180MM C-P24 (10 PCS.)	2
59A	314087 SANDING DISCS 180MM C-P30 (10 PCS.)	2
60A	314090 SANDING DISCS 180MM C-P50 (10 PCS.)	2
63	949103 WOOL BONNET 180MM	1
64	956633 SIDE HANDLE	1
65A	936638 WRENCH 17MM	1
66A	325491 WRENCH	1
68	949440 @ WASHER (BRASS) M3.5 (10 PCS)	2
69	956384 TAPPING SCREW D4X20 (OLD 317171)	3
70	956387 DUST SEAL (A)	1
71	971792 SLIDE SWITCH COVER	1
72	953264P HANDLE ASS'Y (OLD 953242) (NEW 953260)	1
72	953260 HANDLE ASS'Y (OLD 953242)	1
73	958263 CHOKE COIL	1
73	953298 CHOKE COIL (A)	1
74	953265 DISTANCE PLATE	1
75	938307 PILLAR TERMINAL	1
76	980063 TERMINAL	1
77	981373 TUBE (D)	2
78	983684 @ WIRE BAND (OLD 981014Z)	1
79	953258 HANDLE (A) (NEW 953260 A+B)	1

nÂ°	Artikel	Aantal gebruikt
80	953259 HANDLE (B) (NEW 953260 A+B)	1
80	953263P HANDLE (B)	1
601	314084 SANDING DISCS 180MM C-P16 (10 PCS.)	1
602	314085 SANDING DISCS 180MM C-P20 (10 PCS.)	1
603	314088 SANDING DISCS 180MM C-P36 (10 PCS.)	1
604	314089 SANDING DISCS 180MM C-P40 (10 PCS.)	1
605	314091 SANDING DISCS 180MM C-P60 (10 PCS.)	1
606	314093 SANDING DISCS 180MM C-P100 (10 PCS.)	1
607	953256Z SANDING DISC SET FOR 7" DISC	1
610	314092 SANDING DISCS 180MM C-P80 (10 PCS.)	2
612	314094 SANDING DISCS 180MM C-P120 (10 PCS.)	2



Rev.2

形名
SAT-180