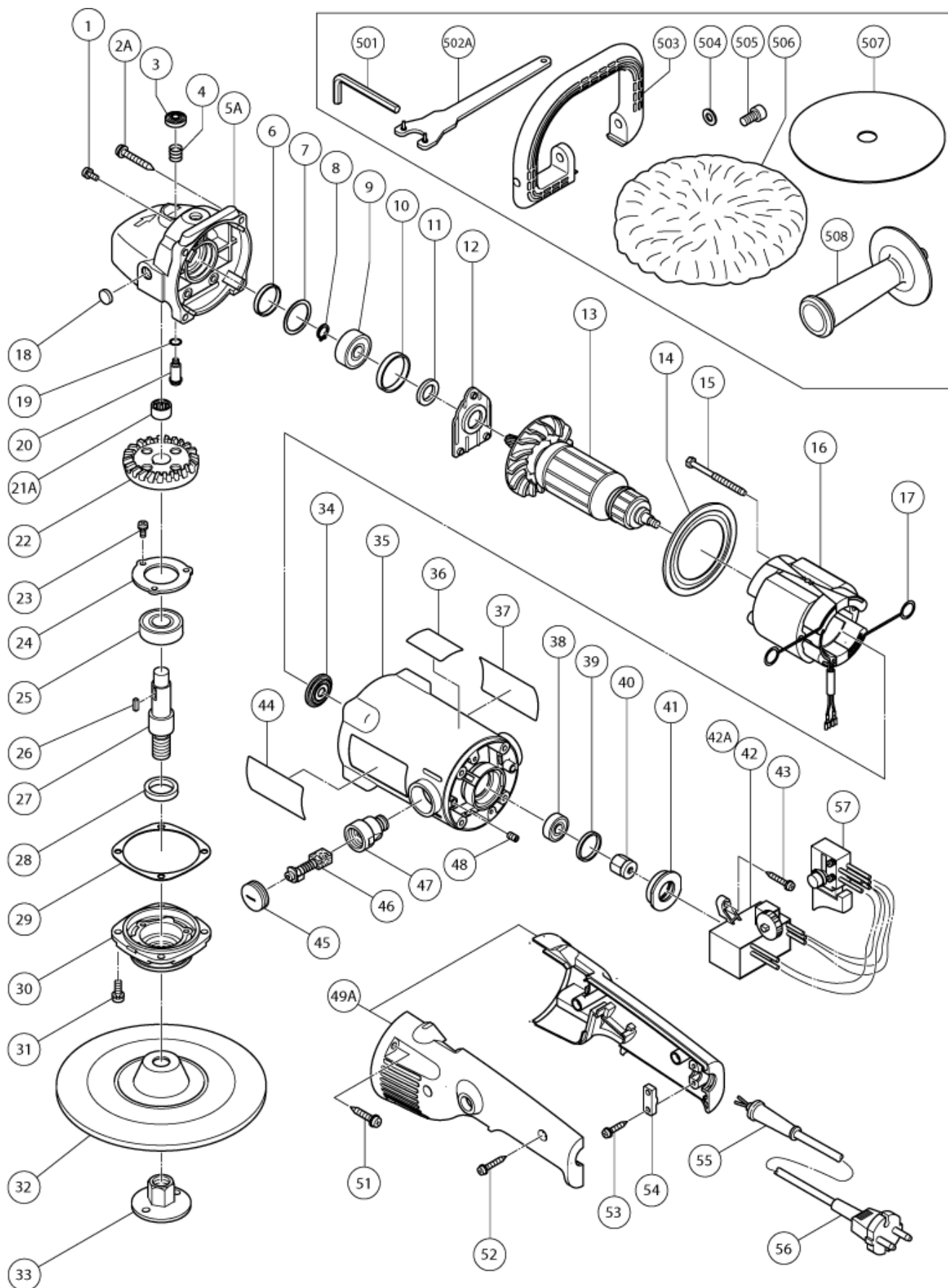


nÂ°	Artikel	Aantal gebruikt
	STANDARD ACCESSORIES	0
	OPTIONAL ACCESSORIES	0
1	303255 SEAL LOCK SCREW M4X10 (W/SP WASHER)	3
2A	333713 TAPPING SCREW D5X30 (W/FLANGE) BLACK (OLD 305507)	4
3	306888 PUSH BUTTON	1
4	306889 SPRING	1
5A	320936 GEAR COVER (A) ASS'Y	1
6	315055 SEAL RING	1
7	315054 WASHER (A)	1
8	939540 RETAINING RING FOR D10 SHAFT (10 PCS.)	1
9	6200DD BALL BEARING 6200DDC MPS2L	1
10	315053 RUBBER RING (A)	1
11	315052 FELT PACKING (B)	1
12	315051 BEARING COVER (B)	1
13	360576U ARMATURE 110-120 VOLT	1
13	360576E ARMATURE 220-240 VOLT	1
14	315046 FAN GUIDE	1
15	961501 HEX .HD. TAPPING SCREW D5X60	2
16	340526C @ STATOR ASS'Y 110 VOLT	1
16	340526E STATOR ASS'Y 220-240 VOLT	1
16	340526D STATOR ASS'Y 120V	1
17	930703 BRUSH TERMINAL	2
18	315049 FELT WASHER	1
19	320218 O-RING	1
20	315050 LOCK PIN	1
21A	331359 NEEDLE BEARING (NTN HK1210FM) (OLD 871397)	1
22	320937 GEAR	1
23	987201 SEAL LOCK SCREW M4X10 (W/SP WASHER)	3
24	937077 BEARING COVER (A)	1
25	6202DD BALL BEARING 6202DDUC MPS2S (OLD 956937)	1
26	940533 FEATHER KEY 3X3X10	1
27	320943 SPINDLE	1
27	320944 SPINDLE	1
28	315062 FELT PACKING (A)	1
29	315060 SEAL PACKING	1
30	315061 PACKING GLAND	1
31	315636 SEAL LOCK SCREW M5X14 W/SP WASHER (NEW 984509)	4
32	321645 BACKING PAD	1

nÂ°	Artikel	Aantal gebruikt
32	953255 RUBBER PAD (D16 HOLE)	1
32	953247Z RUBBER PAD (D14 HOLE)	1
33	953254P WASHER NUT 5/8"-11UNC	1
33	953246Z WASHER NUT M14	1
34	315047 DUST SEAL	1
35	320945 HOUSING ASS'Y	1
36	320948 SETTING LABEL	1
37	NAME PLATE	1
38	608VVM BALL BEARING 608VVC2PS2L	1
39	995662 RUBBER RING (OLD 997511)	1
40	318721 MAGNET	1
41	320946 BEARING BUSHING	1
42	320941 CONTROLLER SWITCH (NEW 337094+321449)	1
42A	337094 CONTROLLER SWITCH (OLD 320941)	1
42	320940 CONTROLLER SWITCH	1
43	305095 TAPPING SCREW D4X20 W/FLANGE (NEW 301653)	2
44	HITACHI LABEL	1
45	945161 BRUSH CAP	2
46	999043 CARBON BRUSH (1 PAIR)	2
47	958900 BRUSH HOLDER	2
48	938477 HEX.SOCKET SET SCREW M5X8	2
49A	334722 HANDLE (A+B) SET (OLD 320939/320938)	1
51	302089 TAPPING SCREW (W/FLANGE) D5X20 (BLACK)	4
52	302086 TAPPING SCREW D4X20 (W/FLANGE) BLACK	2
53	984750 TAPPING SCREW (W/FLANGE) D4X16	2
54	937631 CORD CLIP	1
55	953327 CORD ARMOR D8.8	1
56	500439Z CORD FOR AUS (OLD 500226Z/500411Z)	1
56	500234Z CORD 5M 2 X 1.0 FOR INA,SUR,MLT H05VV-F (NEW 714500)	1
56	500247Z CORD (NEW 714500)	1
56	500396Z CORD 2,5M 2 X 1.0 W/O PLUG (NEW 500237Z)	1
56	500487Z CORD	1
56	500435Z CORD 2,5M 2 X 1.0 H05VV-F W/PLUG 13A/250V GBR	1
56	500447Z CORD 2,5M 2 X 1.0 H05VV-F (OLD 500395Z)	1
56	500241Z CORD	1
57	321449 SWITCH (1P PILLAR TYPE) W/LOCK	1
501	955857 HEX. BAR WRENCH 8MM	1
502A	325491 WRENCH	1

nÂ°	Artikel	Aantal gebruikt
503	320949 LOOP HANDLE	1
504	949434 BOLT WASHER M10 (10 PCS)	2
505	949844 HEX.SOCKET HD.BOLT M10X20 (10 PCS)	2
601	314084 SANDING DISCS 180MM C-P16 (10 PCS.)	1
602	314085 SANDING DISCS 180MM C-P20 (10 PCS.)	1
603	314086 SANDING DISCS 180MM C-P24 (10 PCS.)	1
604	314088 SANDING DISCS 180MM C-P36 (10 PCS.)	1
605	314089 SANDING DISCS 180MM C-P40 (10 PCS.)	1
606	314090 SANDING DISCS 180MM C-P50 (10 PCS.)	1
607	314091 SANDING DISCS 180MM C-P60 (10 PCS.)	1
608	314093 SANDING DISCS 180MM C-P100 (10 PCS.)	1
609	949103 WOOL BONNET 180MM	1
610	994322 SIDE HANDLE	0
611	331744 SPONGE PAD 170MM (MAGIC TYPE)	1



Rev.5

形名
SP18VA