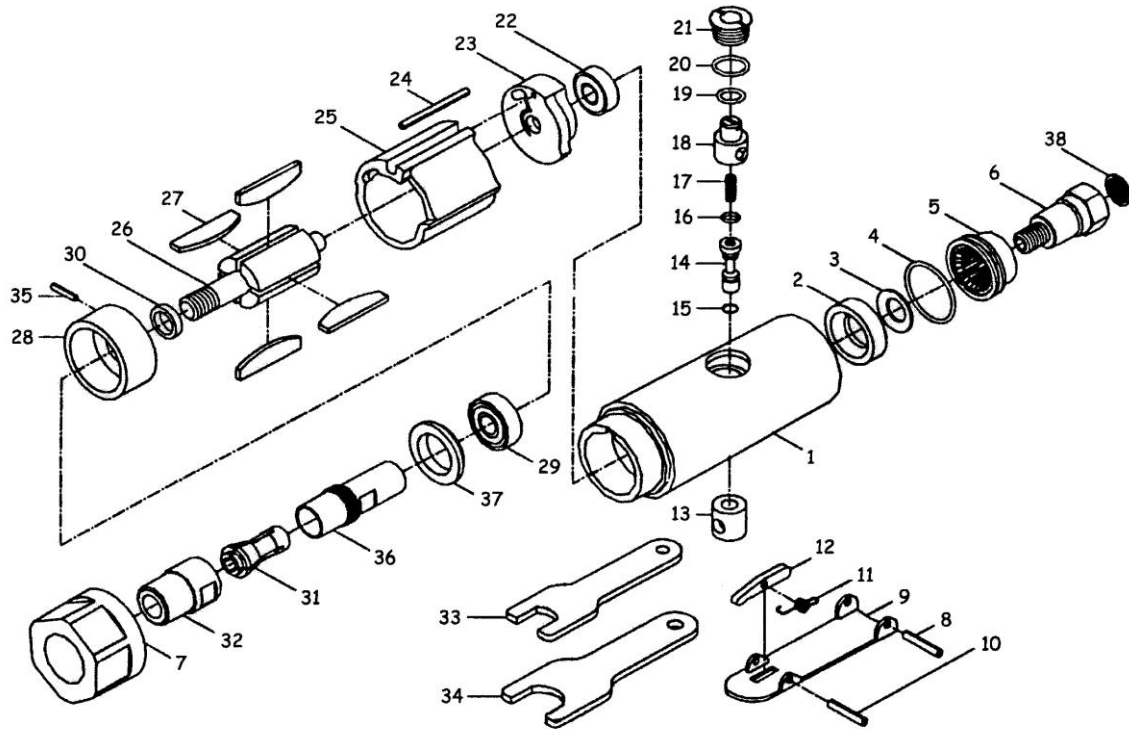


Stiftslijper - Heavy Duty Stabschleifer - Die grinder - Meuleuses



| ITEM NO. | DESCRIPTION       |
|----------|-------------------|
| 1        | MOTOR HOUSING     |
| 2        | SILENCER          |
| 3        | WASHER            |
| 4        | O-RING            |
| 5        | DEFLECTOR         |
| 6        | AIR INLET         |
| 7        | HOUSING LOCK RING |
| 8        | LEVER PIN         |
| 9        | THROTTLE LEVER    |
| 10       | SPRING PIN        |
| 11       | SPRING            |
| 12       | STOP ROD          |
| 13       | VALVE BUSHING     |
| 14       | VALVE STEM        |
| 15       | O-RING            |
| 16       | O-RING            |
| 17       | SPRING            |
| 18       | REGULATOR         |
| 19       | O-RING            |

| ITEM NO. | DESCRIPTION           |
|----------|-----------------------|
| 20       | O-RING                |
| 21       | VALVE SCREW           |
| 22       | BALL BEARING          |
| 23       | REAR END PLATE        |
| 24       | CYLINDER PIN          |
| 25       | CYLINDER              |
| 26       | ROTOR                 |
| 27       | ROTOR BLADE (4)       |
| 28       | FRONT END PLATE       |
| 29       | BALL BEARING          |
| 30       | ROTOR SPACER          |
| 31       | COLLET                |
| 32       | COLLET NUT            |
| 33       | SPANNER WRENCH (11mm) |
| 34       | SPANNER WRENCH (17mm) |
| 35       | PIN                   |
| 36       | SPINDLE               |
| 37       | RUBBER GASKET         |
| 38       | FILTER                |