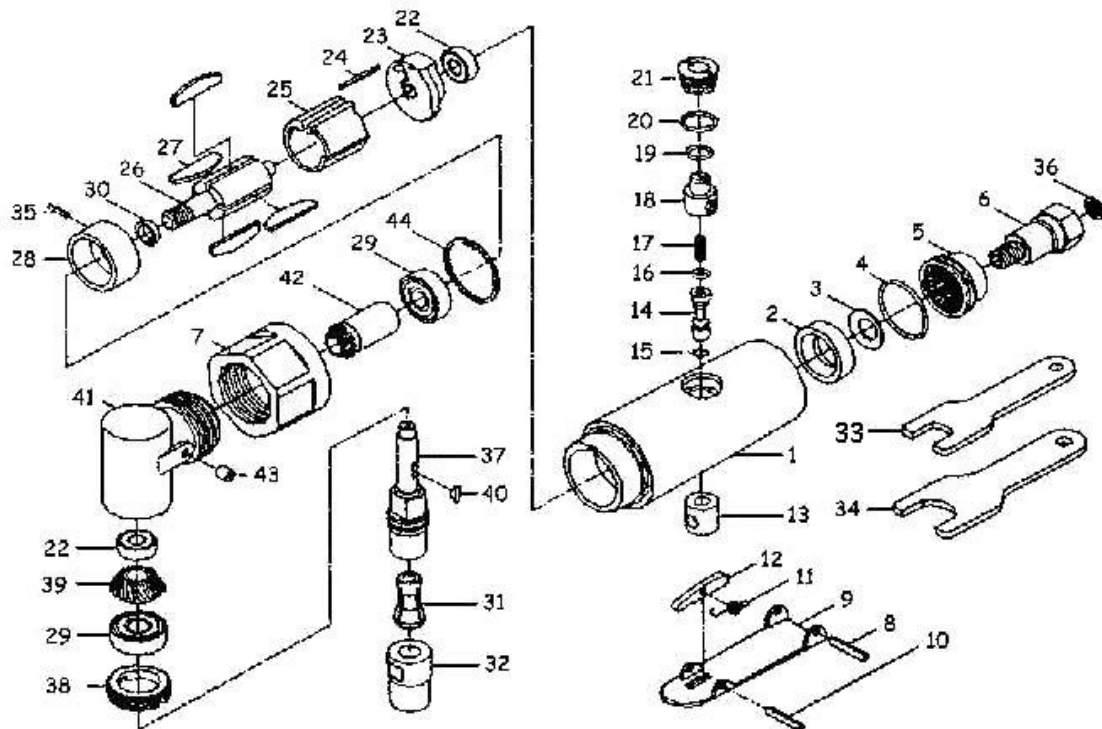


Stiftslijper - Heavy Duty Stabschleifer - Die grinder - Meuleuses



| ITEM NO. | DESCRIPTION |
|----------|-------------------|
| 1 | MOTOR HOUSING |
| 2 | SILENCER |
| 3 | WASHER |
| 4 | O-RING |
| 5 | DEFLECTOR |
| 6 | AIR INLET |
| 7 | HOUSING LOCK RING |
| 8 | LEVER PIN |
| 9 | THROTTLE LEVER |
| 10 | SPRING PIN |
| 11 | SPRING |
| 12 | STOP ROD |
| 13 | VALVE BUSHING |
| 14 | VALVE STEM |
| 15 | O-RING |
| 16 | O-RING |
| 17 | SPRING |
| 18 | REGULATOR |
| 19 | O-RING |
| 20 | O-RING |
| 21 | VALVE SCREW |
| 22 | BALL BEARING (2) |

| ITEM NO. | DESCRIPTION |
|----------|-----------------------|
| 23 | REAR END PLATE |
| 24 | CYLINDER PIN |
| 25 | CYLINDER |
| 26 | ROTOR |
| 27 | ROTOR BLADE (4) |
| 28 | FRONT END PLATE |
| 29 | BALL BEARING (2) |
| 30 | ROTOR SPACER |
| 31 | COLLET |
| 32 | COLLET NUT |
| 33 | SPANNER WRENCH (11mm) |
| 34 | SPANNER WRENCH (17mm) |
| 35 | PIN |
| 36 | FILTER |
| 37 | SPINDLE |
| 38 | CLAMP NUT |
| 39 | BEVEL GEAR |
| 40 | KEY |
| 41 | ANGLE HEAD HOUSING |
| 42 | PINION |
| 43 | GREASE FITTING |
| 44 | COLLAR |