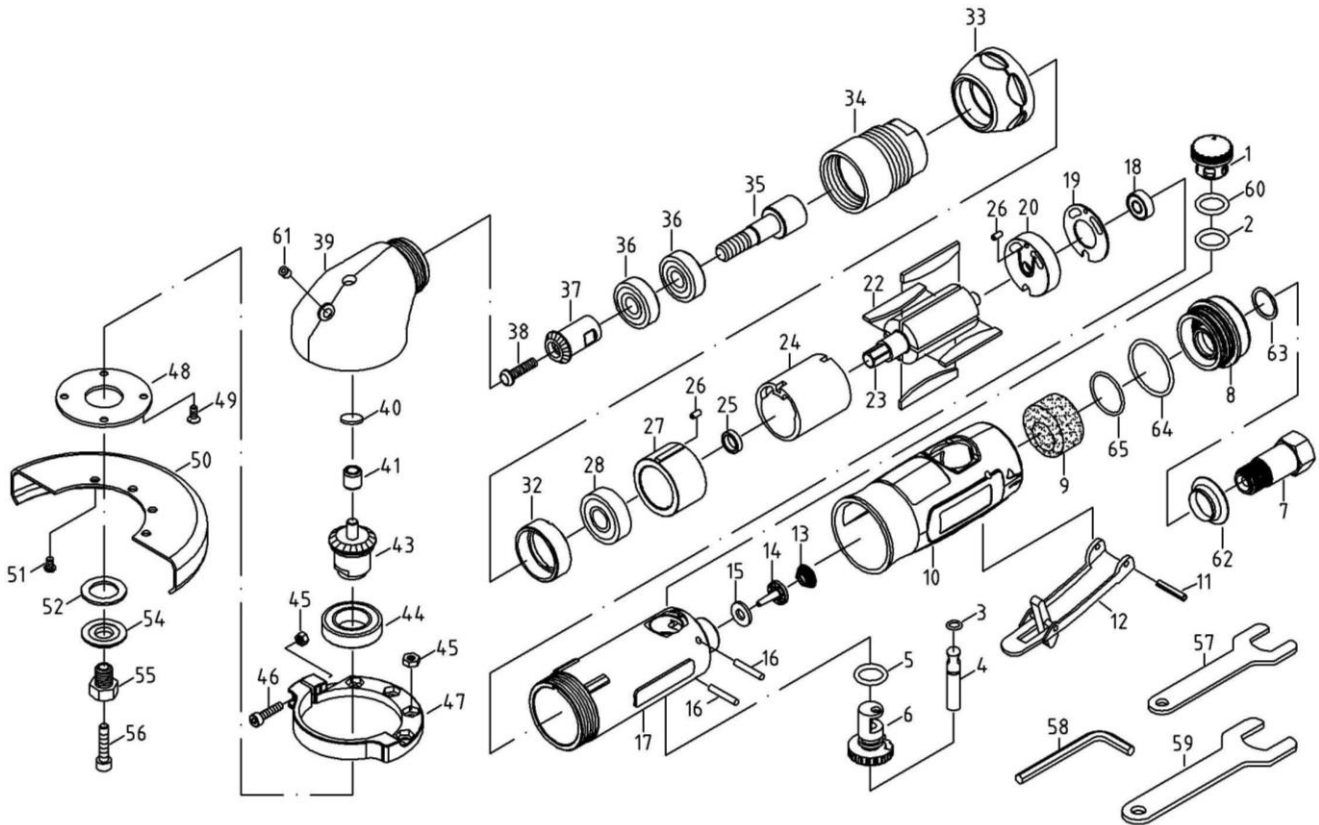


4" REVERSIBLE ANGLE CUTTER OFF / GRINDER TOOL



ITEM NO.	DESCRIPTION
1	REGULATOR
2	O-RING (AS015)
3	O-RING (3.5*1.4)
4	VAVL E STEM
5	O-RING (P10)
6	REGULATOR
7	AIR INLET
8	EXHAUST SLEEVE
9	SILENCER
10	PROTECTING RUBBER
11	PIN
12	LEVER
13	SPRING
14	VALVE
15	WASHER (6*13.8*1.6T)
16	PIN (2.8*25.8L) (2)
17	HOUSING
18	BEARING (626)
19	WASHER (17*33.2*0.8T)
20	REAR PLATE
22	ROTOR BLADE (4)
23	ROTOR
24	CYLINDER
25	BEARING SPACER
26	PIN (2.5*6L) (2)
27	FRONT PLATE
28	BEARING (6000ZZ)
32	NUT
33	CLAMP NUT
34	SPINDLE HOUSING

ITEM NO.	DESCRIPTION
35	SPINDLE
36	BEARING (609) (2)
37	PINION GEAR(14T)
38	SCREW (M4*20)
39	ANGLE HOUSING
40	WASHER
41	BEARING (HKU609)
43	PINION GEAR(21T)
44	BEARING (6904)
45	NUT (5)
46	SCREW (M4*16)
47	HANDLE LINK
48	FACE PLATE
49	SCREW(M4*10) (4)
50	DISC COVER
51	SCREW (M4*6) (4)
52	NUT
54	WASHER
55	NUT
56	SCREW
57	STOP SPANNER (14mm)
58	HEX (4mm)
59	STOP SPANNER (17mm)
60	O-RING (P14)
61	OIL CUP
62	MUFFLER BODY
63	WSAHER
64	O-RING (AS125)
65	O-RING (S30)