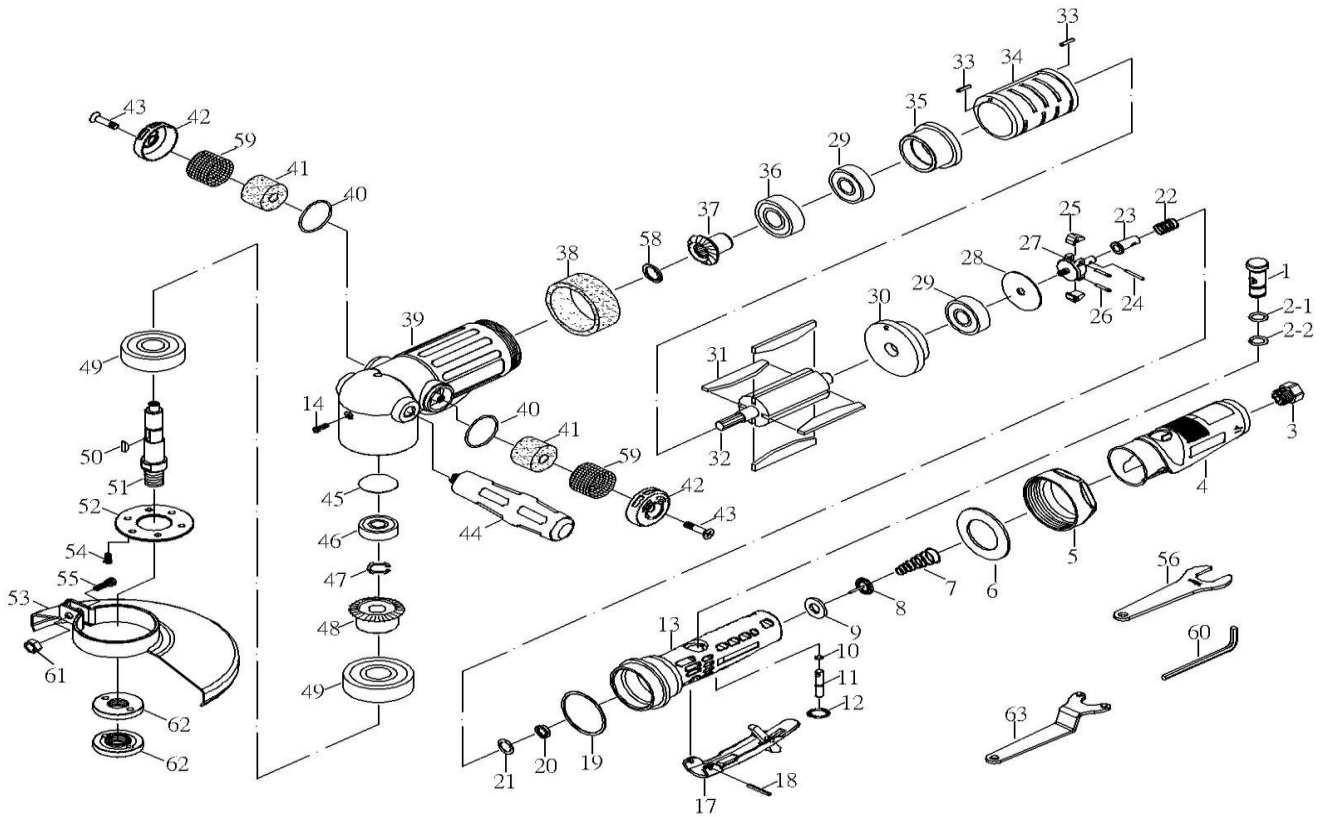


**7" AIR ANGLE GRINDER**



ITEM NO.	DESCRIPTION
1	REGULATOR
2-1	O-RING (P10)
2-2	O-RING (P9)
3	INLET BUSHING
4	PROTECTING RUBBER
5	CLAMP NUT
6	WASHER (47.5*56.5*1T)
7	SPRING
8	VALVE
9	WASHER
10	O-RING (3.5*1.4)
11	VALVE STEM
12	SNAP RING
13	HOUSING
14	SCREW (M5*6)
17	LEVER
18	PIN (3*24L)
19	WASHER (45*50*0.8T))
20	SPRING HOLDER
21	WASHER (14*9.5*0.5T)
22	SPRING (9.7*1.2T*16.5)
23	GOVERNOR VALVE
24	PIN (2*11.8L)
25	GOVERNOR WEIGHT
26	GOVERNOR PIN
27	GOVERNOR CAGE
28	WASHER
29	BEARING (6201ZZ)
30	REAR PLATE
31	ROTOR BLADE
32	ROTOR

ITEM NO.	DESCRIPTION
33	PIN (3*8L)
34	CYLINDER
35	FRONT PLATE
36	BEARING (6202ZZ)
37	BEVEL GEAR (13T)
38	SILENCER
39	ANGLE HOUSING
40	O-RING (26.7*1.78 A-023)
41	SILENCER
42	EXHAUST SLEEVE
43	SCREW (M5*0.8P*14L)
44	HANDLE
45	SPACER (26*1T)
46	BEARING (629ZZ)
47	RETAINING RING (STW-15)
48	BEVEL GEAR (20T)
49	BEARING (6303ZZ)
50	KEY(5*16)
51	SHAFT
52	FACE PLATE
53	DISC COVER (7")
54	SCREW (M5*12L)
55	SCREW (M8*20L)
56	STOP SPANNER (19mm)
58	SNAP RING (STW-9)
59	STAINLESS MESH
60	HEX (6MM)
61	NUT
62	DISC NUT
63	DISC SPANNER

