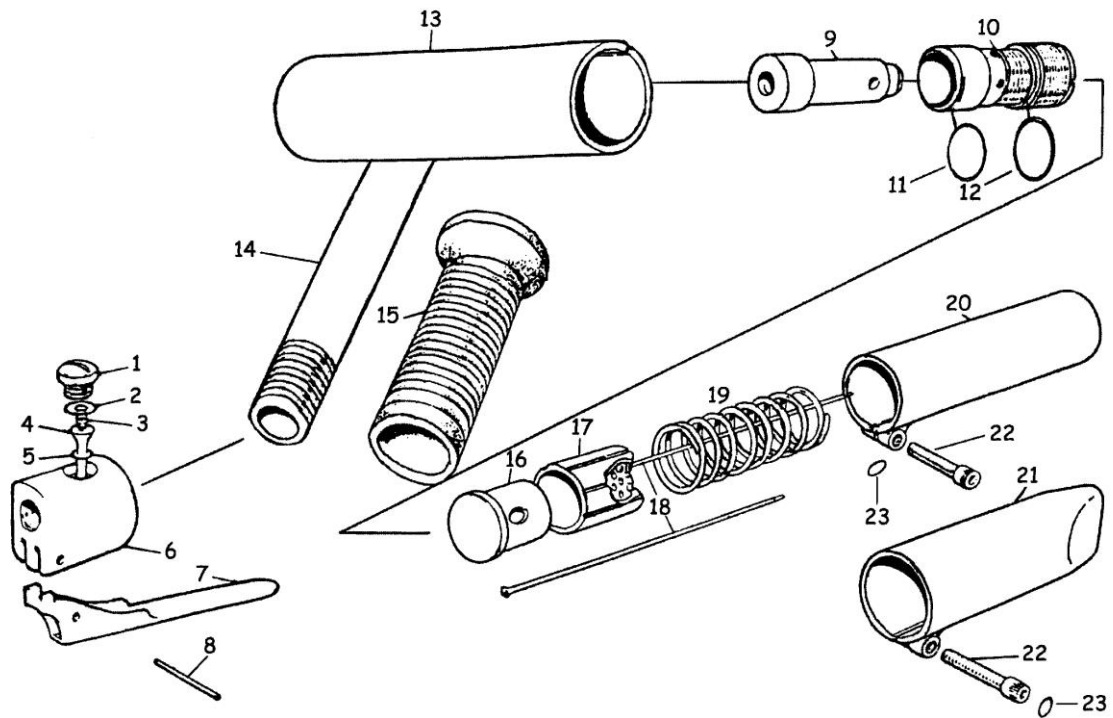


Naaldbikhamer - Needle Scaler - Nadelentroster - Derouilleurs



ITEM NO.	DESCRIPTION
1	VALVE CAP
2	'O' RING - VALVE CAP
3	VALVE SPRING
4	VALVE STEM
5	'O' RING - VALVE SEAT
6	VALVE BODY
7	THROTTLE LEVER
8	ROLL PIN

ITEM NO.	DESCRIPTION
13	SPVENGRING
14	CENTRE TUBE
15	RUBBER HANDLE GRIP
16	ANVIL
17	NEEDLE HOLDER
18	NEEDLE SET
19	SPRING - COMPRESSION
20	INTERMEDIATE TUBE
21	FRONT TUBE
22	CAP HEAD SCREW(SET)
23	WASHER(SET)