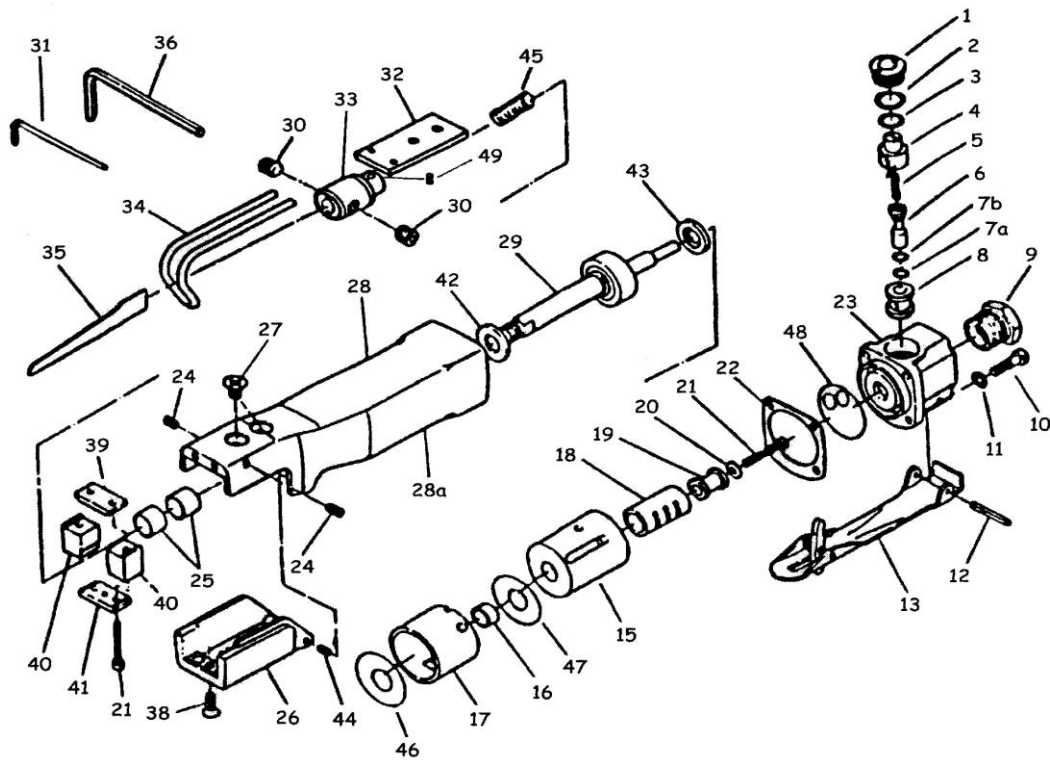


Carrosseriezaag - Kraftstichsäge - Carbody Saw - Scies



ITEM NO.	DESCRIPTION
1	VALVE SCREW
2	O-RING
3	O-RING
4	AIR CONTROLLER
5	VALVE SPRING
6	VALVE STEM
7a	O-RING
7b	O-RING
8	VALVE BUSHING
9	INLET BUSHING
10	CAP SCREW (4)
11	WESHER (4)
12	LEVER PIN
13	THROTTLE LEVER
15	VALVE CASE
16	BUSH
17	CYLINDER
18	VALVE STEEVE
19	ACTUATE VALVE
20	WASHER
21	CAP SCREW (3)
22	GASKET
23	VALVE BLOCK
24	SET SCREW (2)
25	BUSH (2)
26	CHUCK COVER
27	SCREW (2)

ITEM NO.	DESCRIPTION
28	HOUSING
28a	PLASTIC WRAPP
29	PISION ASS'Y
30	SET SCREW (2)
31	SERVICE WRENCH (2mm)
32	GUIDE PLETE
33	BIEDE CHUCK
34a	WORK GUIDE (LONG)
34b	WORK GUIDE (SHORT)
35a	BLADE (32T)
35b	BLADE (24T)
35c	BLADE (18T)
35d	BLADE (14T)
36	SERVICE WRENCH (4mm)
38	SCREW (2)
38a	RETAINING RING
39	UPER WEAR SHOE
40	BIADE GUIDE (2)
41	BRIDGE
42	FORNT BUMPER
43	REAR BUMPER
44	RELL PIN (2)
45	SPRING
46	PACKING
47	PACKING
48	PACKING
49	SET SCREW