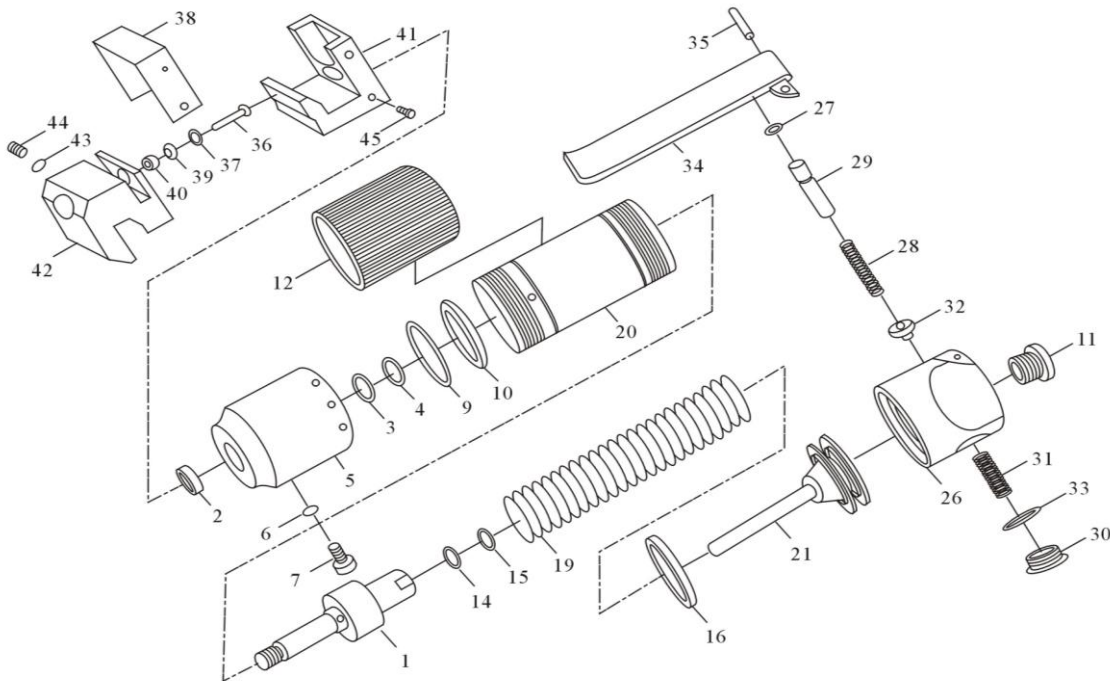


Fels- en perforeerapparaat - Loch- und Flazgerät - Punch and flange tool - Poinçonneuse



ITEM NO.	DESCRIPTION
1	HYDR PISTON
2	OIL SEAL
3	SUPPORT RING
4	O-RING (2)
5	HYDR CYLINDER
6	O-RING
7	SCREW
9	SUPPORT RING
10	O-RING
11	AIR INLET
12	GRIP-RUBBER
14	O-RING
15	SUPPORT RING (2)
16	O-RING
19	SPRING
20	AIR CYLINDER
21	HIGH PRESS PISTON
26	VALVE BODY
27	O-RING

ITEM NO.	DESCRIPTION
28	SPRING
29	PUSH ROD
30	SCREW
31	SPRING
32	VALVE
33	O-RING
34	LEVER
35	SPRING PIN
36	PUNCH
37	CUP SPRING (13)
38	COVER PLATE
39	GUIDE BUSHING
40	PUNCH DIE
41	ANVIL
42	CLAMB
43	PLUG
44	LOCKING SCREW
45	SCREW (2)