

nÂ°	Artikel	Aantal gebruikt
2	312488 CLAMP LEVER (OLD 996219)	1
3	329409 BOLT (LEFT HAND) D10	1
4	965077 SPECIAL WASHER	1
5	325028 SET PIN	1
6	996407 O-RING (1AP-12)	1
10	329417 SCALE (B)	1
11	329408 LINER (A)	1
12	312481 SPRING	1
13	329422 TURN TABLE	1
14	329418 SHAFT (B)	1
15	949437 BOLT WASHER M12 (10 PCS) (OLD 949437Z)	2
18	949256 MACHINE SCREW M6X16 (10 PCS)	6
19	329421 TABLE INSERT	2
20	321342 SPACER (A)	1
21	329416 SHAFT (A)	1
22	673489 RETAINING RING (E-TYPE)	1
23	322283 SIDE HANDLE (OLD 976805)	1
24	321339 LEVER SHAFT	1
25	321338 LEVER	1
26	321340 SPRING (D)	1
27	CAUTION LABEL (C)	1
27	CAUTION LABEL (D)	1
28	329415 SHAFT (C)	1
29	987860 SEAL LOCK HEX. SOCKET SCREW M6X6	1
30	321417 SPRING (E)	1
31	322280 STOPPER	1
32	324395 COVER (B)	1
33	875249 THRUST WASHER	1
34	321336 PIN COVER	1
35	302522 KNOB BOLT M10X66	1
37	SCREW HOLDER	1
38	949432 BOLT WASHER M6 (10 PCS) (OLD 949432Z)	1
39	329859 VISE SHAFT	1
40	302532 VISE PLATE	1
41	949216 MACHINE SCREW M4X10 (10 PCS) (OLD 949216Z)	1
42	329860 VISE ASS'Y	1
43	949678 BOLT M8X35 (10 PCS)	4
44	949457 SPRING WASHER M8 (10 PCS.)	4

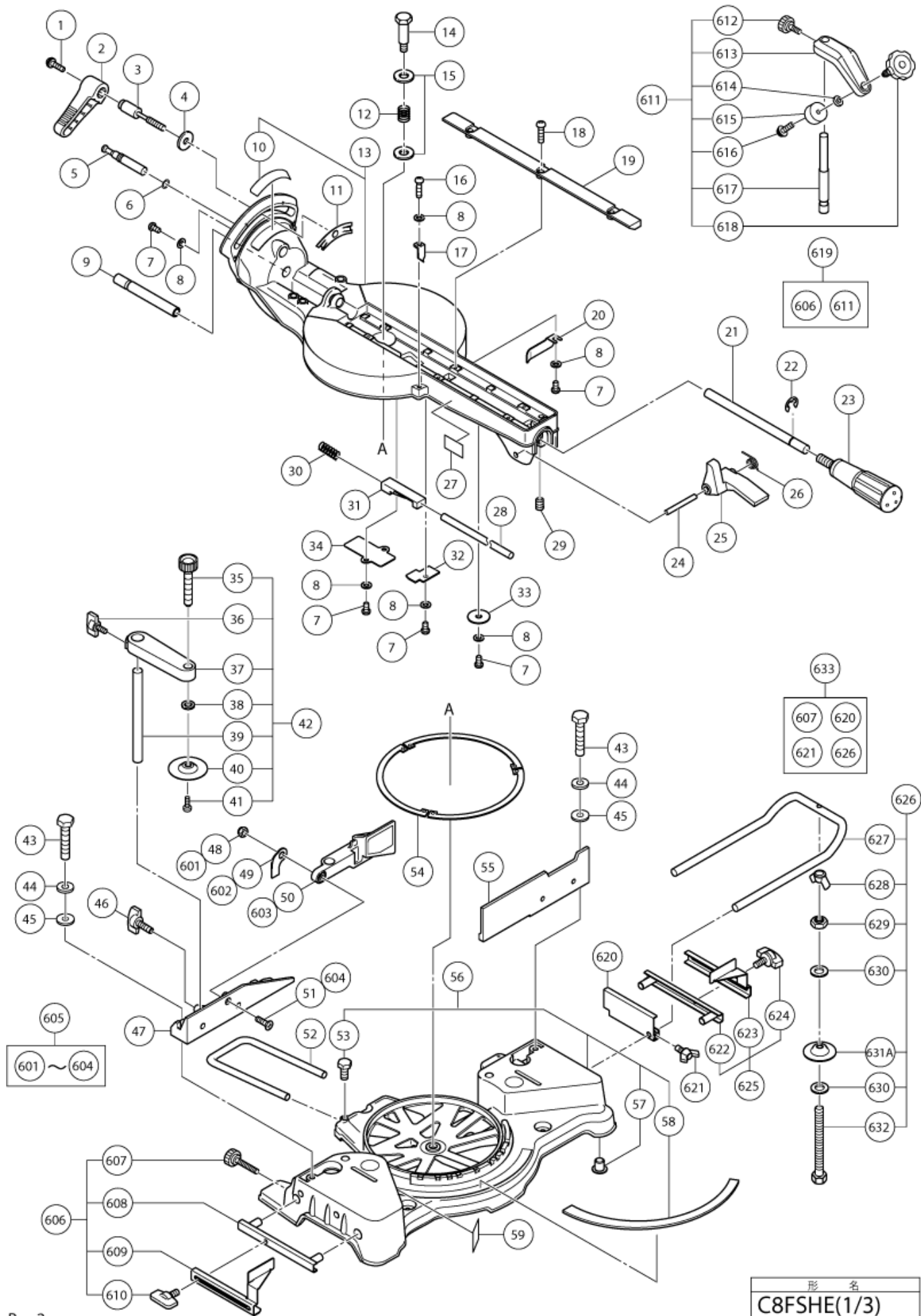
nÂ°	Artikel	Aantal gebruikt
45	949433 BOLT WASHER M8 (10 PCS.)	4
46	307937 WING BOLT (A)	1
47	329420 FENCE (B)	1
52	998844 HOLDER	1
53	949610 BOLT M6X10 (10 PCS)	1
54	324400 LINER	3
55	329419 FENCE (A)	1
56	329414 BASE ASS'Y	1
58	315210 SCALE (A)	1
59	CAUTION LABEL (A)	1
59	CAUTION LABEL (B)	1
81	949215 MACHINE SCREW M4X8 (10 PCS)	5
82	949429 BOLT WASHER M4 (10 PCS.)	6
83	329491 @ COVER	1
84	322889 SLEEVE	1
85	329410 SPRING	1
86	961554 @ HEX.SOCKET SET SCREW M8X10	4
87	329427 HINGE (A) ASS'Y	1
88	319270 ADJUSTER	1
89	949237 MACHINE SCREW M5X12 (10 PCS)	1
90	998980 SPACER	1
91A	329411 LINK	1
92	320141 HINGE SHAFT (A) (OLD 996235)	1
93	323606 BASE RUBBER	4
94	984528 O-RING (P-6)	1
95	302518 STOPPER PIN ASS'Y	1
96	305180 CLUTCH SCREW	1
98	962614 ADJUSTING WASHER (B) T0.5	1
99	319268 PLATE (B)	1
101	305179 CLUTCH SPRING	1
102	319267 SPRING	1
103	319541 SEAL LOCK HEX. SOCKET SET SCREW M5X6	2
104	319271 COVER (A)	1
105	322291 PLATE (A)	1
106	319269 HOLDER (B)	1
107	329863 LASER MARKER	1
109	CAUTION LABEL (J)	1
110	500456Z CORD	1

nÂ°	Artikel	Aantal gebruikt
110	500247Z CORD (NEW 714500)	1
110	500423Z @ CORD 2,5M 2 X 1.0 H05VV-F W/PLUG 13A/250V (OLD 500223Z)	1
110	500434Z CORD	1
110	500234Z CORD 5M 2 X 1.0 FOR INA,SUR,MLT H05VV-F (NEW 714500)	1
110	500455Z CORD	1
110	500435Z CORD 2,5M 2 X 1.0 H05VV-F W/PLUG 13A/250V GBR	1
110	500439Z CORD FOR AUS (OLD 500226Z/500411Z)	1
112	948193 NYLON CLIP	1
112	948614 NYLON CLIP FOR SWISS,GBR,ESP	1
113	329492 SUPPORT	1
114	329424 BALL BUSHING	1
115	326141 BUSHING	1
116	324418 KNOB BOLT M6X25	1
117	947859 LOCK SPRING (OLD 996224)	1
118	307956 SEAL LOCK HEX. SOCKET SCREW M6X10	1
119	949217 MACHINE SCREW M4X12 (10 PCS)	1
120	321329 INDICATOR	1
121	301575 HEX.SOCKET SET SCREW M6X8	2
122	305558 TAPPING SCREW (W/FLANGE) D5X25 (BLACK)	1
124	329428 HOLDER (A)	1
125	324372 GUARD ASS'Y	1
126	998879 KNOB BOLT	1
127	321333 GUARD (A)	1
128	321394 GUARD HOLDER	1
151	984750 TAPPING SCREW (W/FLANGE) D4X16	3
152	938051 CORD ARMOR D10.1	1
153	937631 CORD CLIP	1
154	319349 CORD BUSH	1
155	329490 HOUSING ASS'Y	1
156	NAME PLATE	1
157	322123 MACHINE SCREW M6X40 (W/WASHERS) BLACK	3
158	938477 HEX.SOCKET SET SCREW M5X8	2
159	957571 BRUSH HOLDER	2
160	999001 CARBON BRUSH (1 PAIR)	2
160	999021 CARBON BRUSH (1 PAIR)	2
161	931266 BRUSH CAP	2
162	303970 TAPPING SCREW D4X14 (CLASS 2)	1
163	301653 TAPPING SCREW (W/FLANGE) D4X20 (BLACK)	7

nÂ°	Artikel	Aantal gebruikt
164	329438 HANDLE COVER	1
165	329487 SWITCHING POWER SUPPLY ASS'Y	1
165	329488 SWITCHING POWER SUPPLY ASS'Y	1
165	336581 SWITCHING POWER SUPPLY NEW	1
166	324518 FERRITE CORE	1
167	319503 SWITCH (W/COVER)	2
168	959141 CONNECTOR 50092 (10 PCS) (OLD 939558)	3
169	329461 INTERNAL WIRE (G)	1
169	329430 INTERNAL WIRE (G)	1
170	324424 SWITCH (3P FASTON TYPE W/O LOCK)	1
171	958308Z PILLAR TERMINAL (A)	1
172A	336582 NOISE SUPPRESSOR NEW	1
173	329821 CLEAR COVER	1
174	322375 CAP (A)	1
175	329489 LIGHT (H) ASS'Y	1
176	323433 SPRING	1
177	323432 LOCK LEVER	1
178	329436 FAN GUIDE	1
179	960108 HEX.HD. TAPPING SCREW D4X60	2
180	931867 BRUSH TERMINAL	2
181	340729F STATOR ASS'Y 240V	1
181	340729G STATOR ASS'Y 220-230 VOLT (SOFT START)	1
181	340729E STATOR ASS'Y 220-230 VOLT	1
181	340729D STATOR ASS'Y 120V	1
182	6000VV BALL BEARING 6000VVCMP2L	1
183	315877 DUST SEAL	1
185	322089 BEARING BUSHING	1
186	322090 RUBBER BUSHING	1
187	360839F ARMATURE ASS'Y 240V	1
187	360839G ARMATURE ASS'Y 220-230 VOLT (SOFT START)	1
187	360839E ARMATURE ASS'Y 220-230 VOLT	1
187	360839U ARMATURE ASS'Y 110-120 VOLT	1
188	961468 KNOB BOLT M6X37	1
189	988821 LOCK SPRING	1
190	303409 @ NYLOCK BOLT M8X25	2
191	996274 MACHINE SCREW (W/WASHERS) M5X8	1
192	329425 SPINDLE COVER	1
193	WARNING LABEL (A)	1

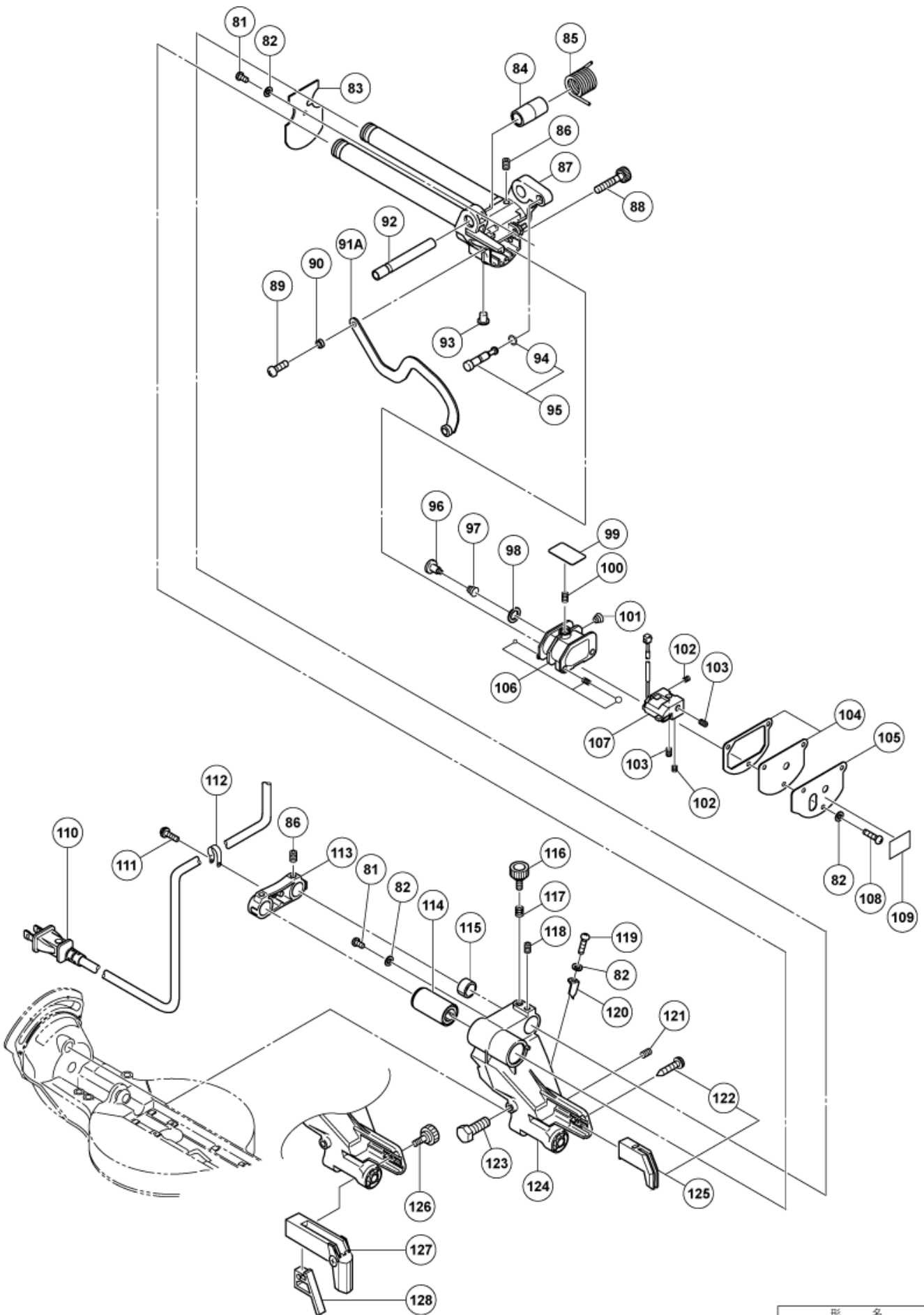
nÂ°	Artikel	Aantal gebruikt
195	935196 MACHINE SCREW (W/WASHERS) M4X12 (BLACK)	1
196	980523 NYLON CLIP	1
197	877839 SEAL LOCK HEX. SOCKET HD. BOLT M5X10	1
198	329431 GEAR CASE	1
199	949260 MACHINE SCREW M6X25 (10 PCS)	1
200	606ZZM BALL BEARING 606ZZMC3PS2S	1
201	949455 SPRING WASHER M6 (10 PCS.)	1
202	949425 WASHER M6 (10 PCS)	1
203	329463 LOCK LEVER SPRING	1
204	329462 LOCK LEVER	1
205	322950 SPECIAL SCREW M6	1
206	328922 HITACHI PLATE	1
207	308259 BOLT M6X16 (W/WASHERS) BLACK	1
208	321364 DUST GUIDE	1
209	312492 GUIDE HOLDER	1
209	335780 GUIDE HOLDER	1
210	998335 BOLT (LEFT HAND) W/WASHER M7X17.5 (OLD 996258)	1
211	TCT SAW BLADE 216MM-D30 HOLE-NT24	1
211	TCT SAW BLADE 216MM-D15.88 HOLE-NT24	1
211	TCT SAW BLADE 216MM-D25.4 HOLE-NT24	1
212	974663Z COLLAR (A) FOR D30 HOLE	1
212	976819 COLLAR (B) FOR D25.4 HOLE	1
213	949322 FLAT HD.SCREW M4X10 (10 PCS)	2
214	307731 COVER	1
215	329412 LOWER GUARD	1
216	317203 RETURN SPRING	1
217	329432 SPINDLE ASS'Y	1
218	327694 BALL BEARING 6003VVCM (NYLON RETAINER)	1
219	329435 BEARING HOLDER	1
220	608VVM BALL BEARING 608VVC2PS2L	1
221	308789 WASHER (D)	2
222	949241 MACHINE SCREW M5X20 (10 PCS.)	2
223	949454 SPRING WASHER M5 (10 PCS)	2
224	318452 WASHER (G)	1
225	324458 INTERNAL WIRE	2
226	330137 TAB TERMINAL	1
227	336578 CONTROLLER	1
228	305720 TAPPING SCREW D4X12 (W/FLANGE)	1

nÂ°	Artikel	Aantal gebruikt
229	336579 INTERNAL WIRE (H) L300 NEW	1
230	336580 INTERNAL WIRE (H) L140 NEW	1
501	940543 BOX WRENCH 10MM	1
502	322955 DUST BAG (BLACK)	1
601	963837 NYLON NUT M6	1
602	329465 PLATE	1
603	330138 SUB FENCE	1
604	949342 FLAT HD.SCREW M6X25 (10 PCS)	1
605	329464 SUB FENCE ASS'Y	1
606	321374 CROWN MOLDING STOPPER (L) ASS'Y	1
607	960017 KNOB BOLT M6X32	1
609	CROWN MOLDING STOPPER (L)	1
611	322957 VISE (B) ASS'Y	1
612	998836 KNOB BOLT M6X11	1
613	SCREW HOLDER (B)	1
614	306985 WASHER (H)	1
615	964851 BASE RUBBER	1
616	304043 MACHINE SCREW M4X10 (WWASHERS) BLACK	1
617	318967 VISE SHAFT	1
618	321551 @ KNOB BOLT M10X54	1
619	329782 CROWN MOLDING VISE ASS'Y	1
620	974561 STOPPER	1
621	949404 WING BOLT M6X20 (10 PCS) (OLD 949404Z)	1
622	321390 CROWN MOLDING STOPPER HOLDER	1
623	CROWN MOLDING STOPPER (R)	1
624	301806 WING BOLT M6X15	1
625	321373 CROWN MOLDING STOPPER (R) ASS'Y	1
626	HOLDER ASS'Y	1
627	321549 HOLDER	2
628	949313 WING NUT M6 (10 PCS)	2
629	949556 NUT M6 (10 PCS)	2
630	967329 WASHER (H)	4
631A	322047 @ VISE PLATE	2
632	996283 HIGH TENSION BOLT M6X65	2
633	321553 GUIDE ASS'Y	1
634	998840 TCT SAW BLADE 216MM-D15.88 HOLE-NT24	1
635	998858 TCT SAW BLADE 216MM-D25.4 HOLE-NT24	1
636	998859 TCT SAW BLADE 216MM-D30 HOLE-NT24	1



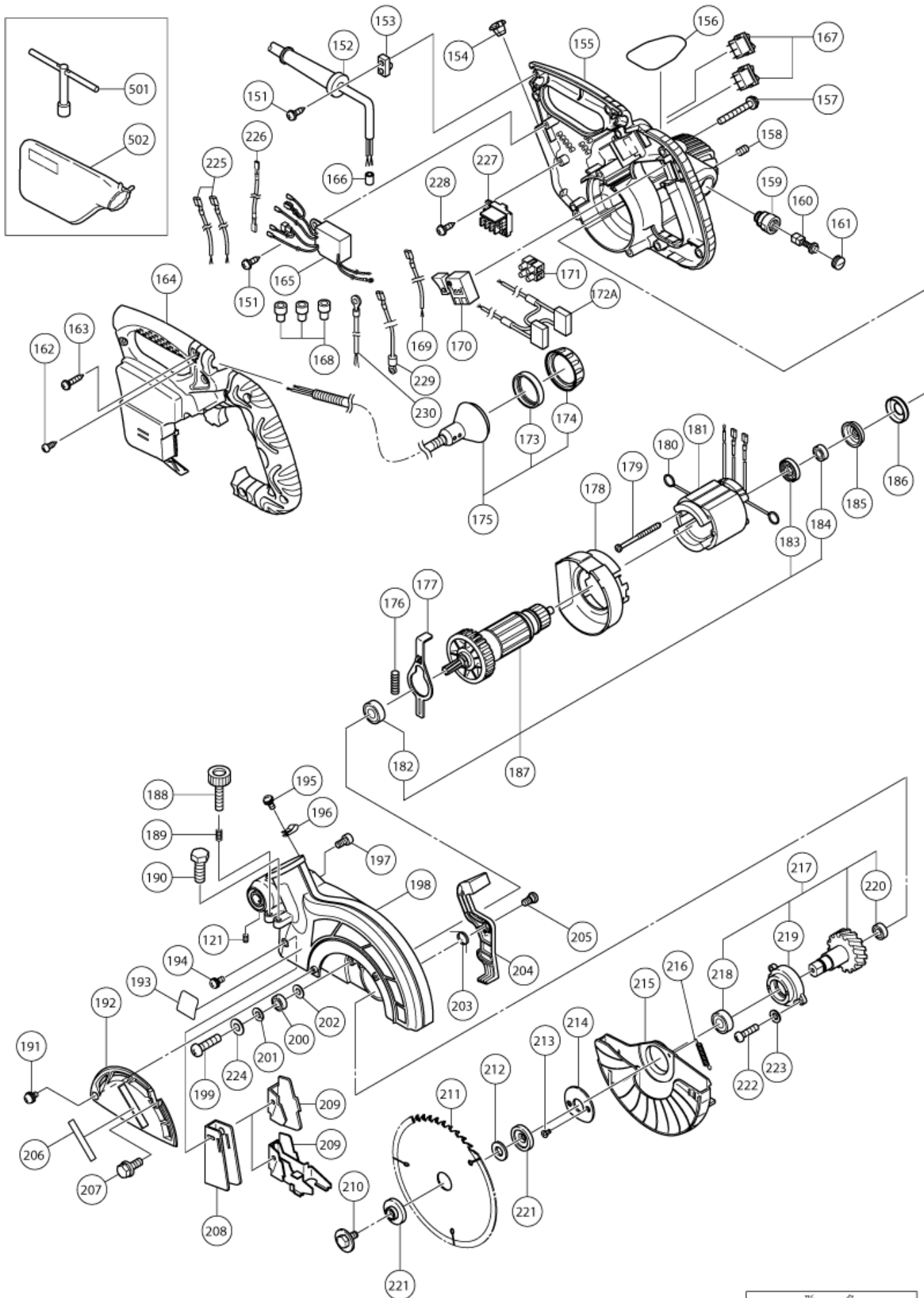
Rev.2

形名
C8FSHE(1/3)



Rev.4

形名
C8FSHE(2/3)



形 名
C8FSHE(3/3)