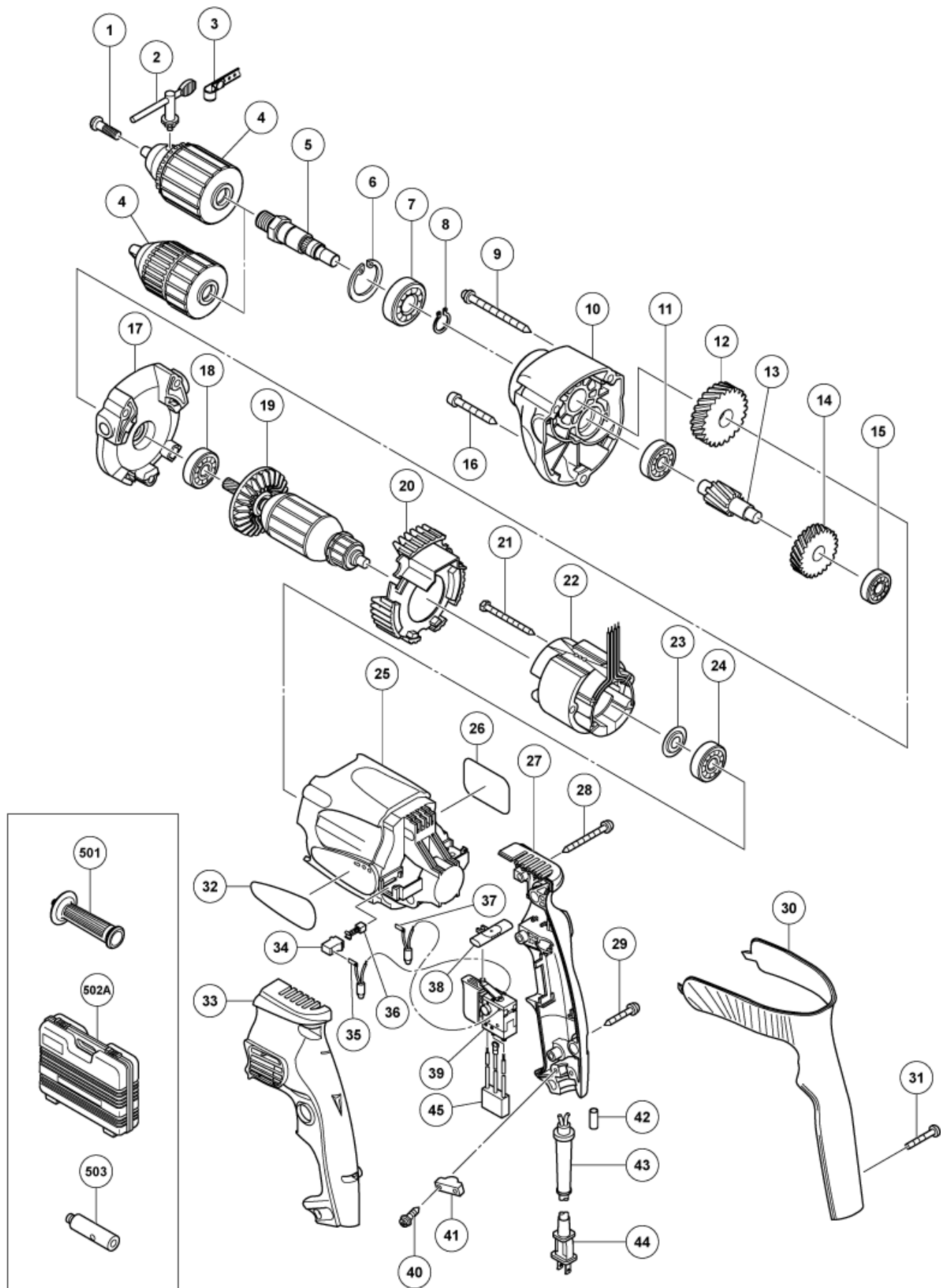


nÂ°	Artikel	Aantal gebruikt
1	311959 SPECIAL SCREW M6X23 (LEFT HAND)	1
2	319527 CHUCK WRENCH 13VLR-J	1
3	950288 VINYL BAND	1
4	319304 DRILL CHUCK 13VLRD-N (W/O CHUCK WRENCH)	1
4	319303 DRILL CHUCK 13VLR-J	1
5	319346 SPINDLE (A)	1
6	948001 RETAINING RING D32 HOLE	1
7	6002VV BALL BEARING 6002VVCMP2L	1
8	939544 RETAINING RING FOR D15 SHAFT (10 PCS)	1
9	305701 TAPPING SCREW D5X60 (OLD 994391)	2
10	319345 GEAR COVER (A)	1
11	627VVM BALL BEARING 627VVMC2EPS2S	1
12	319299 FINAL GEAR	1
13	319547 SECOND PINION (B)	1
14	319544 FIRST GEAR	1
15	606ZZM BALL BEARING 606ZZMC3PS2S	1
16	316458 TAPPING SCREW D5X40 (BLACK)	1
17	319344 INNER COVER	1
18	608DDM BALL BEARING 608DDMC2EPS2S	1
19	360543E ARMATURE 220-230 VOLT	1
19	360543U ARMATURE ASS'Y 120 VOLT	1
19	360543F ARMATURE 240V	1
20	319329 FAN GUIDE	1
21	981421 HEX.HD. TAPPING SCREW D4X55	2
22	340494C @ STATOR 120 VOLT	1
22	340504E STATOR 230-240 VOLT	1
22	340486D STATOR 110 VOLT	1
23	982631 WASHER (A)	1
24	608VVM BALL BEARING 608VVC2PS2L	1
25	319328 HOUSING SET (A+B)	1
26	NAME PLATE	1
27	319331 HANDLE (B)	1
28	303694 TAPPING SCREW D4X35 (W/FLANGE) BLACK	2
29	301653 TAPPING SCREW (W/FLANGE) D4X20 (BLACK)	1
30	319332 GRIP COVER	1
31	319337 SCREW (PLASTIC TIE) D4X25	2
32	HITACHI LABEL	1
33	319330 HANDLE (A)	1

nÂ°	Artikel	Aantal gebruikt
34	955203 BRUSH HOLDER	2
35	319341 INTERNAL WIRE BLUE 86L	1
35	320204 @ CHOKE COIL	1
35	320197 CHOKE COIL	1
36	999041 CARBON BRUSH (1 PAIR)	2
37	319340 INTERNAL WIRE BROWN 86L	1
37	320196 CHOKE COIL	1
37	320203 CHOKE COIL (BROWN) 110 VOLT	1
38	316166 PUSHING BUTTON	1
39	319339 SWITCH (1P SCREW TYPE) W/LOCK 110 VOLT	1
39	320195 SWITCH W/LOCK 1P SCREW TYPE	1
39	319302 SWITCH (1P SCREW TYPE) W/LOCK	1
40	984750 TAPPING SCREW (W/FLANGE) D4X16	2
41	937631 CORD CLIP	1
42	981373 TUBE (D)	2
43	953327 CORD ARMOR D8.8	1
44	500240Z CORD FOR USA/CAN	1
44	500409Z CORD	1
44	500439Z CORD FOR AUS (OLD 500226Z/500411Z)	1
44	500461Z CORD 3M 2 X 1,0 H05VV-F W/PLUG 16A CEE FORM 2P+E FOR GBR	1
44	500435Z CORD 2,5M 2 X 1.0 H05VV-F W/PLUG 13A/250V GBR	1
44	500247Z CORD (NEW 714500)	1
44	500447Z CORD 2,5M 2 X 1.0 H05VV-F (OLD 500395Z)	1
45	320198 NOISE SUPPRESSOR	1
501	981205 SIDE HANDLE FOR M10	1
502A	319543 CASE	1
503	319550 HANDLE JOINT	1
601	319528 ANGLE ATTACHMENT ASS'Y	1
602	670714 NEEDLE BEARING (HK0810)	2
603	986149 @ PINION	1
604	6301VV BALL BEARING 6301VVCMP2S	1
605	986147 RETAINING RING FOR D37 HOLE	2
606	932819 @ WOOD-RUFF KEY 3X10	1
607	986146 @ SPINDLE	1
608	986143 COUPLING	1
609	986142 JOINT SLEEVE	1
610	949632 @ BOLT M8X45 (10 PCS)	2
611	949426 WASHER M8 (10 PCS)	2

nÂ°	Artikel	Aantal gebruikt
612	986144 @ ANGLE HEAD ASS'Y	1
613	986156 @ SPINDLE AND GEAR SET	1
614	949168 WRENCH 13/17MM	1
615	317676 HOOK (A)	1



Rev.1

形名
D13VF(1/2)