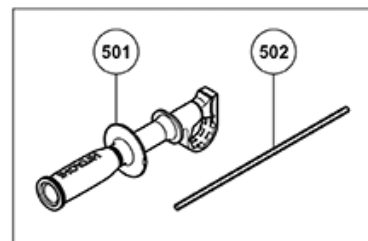
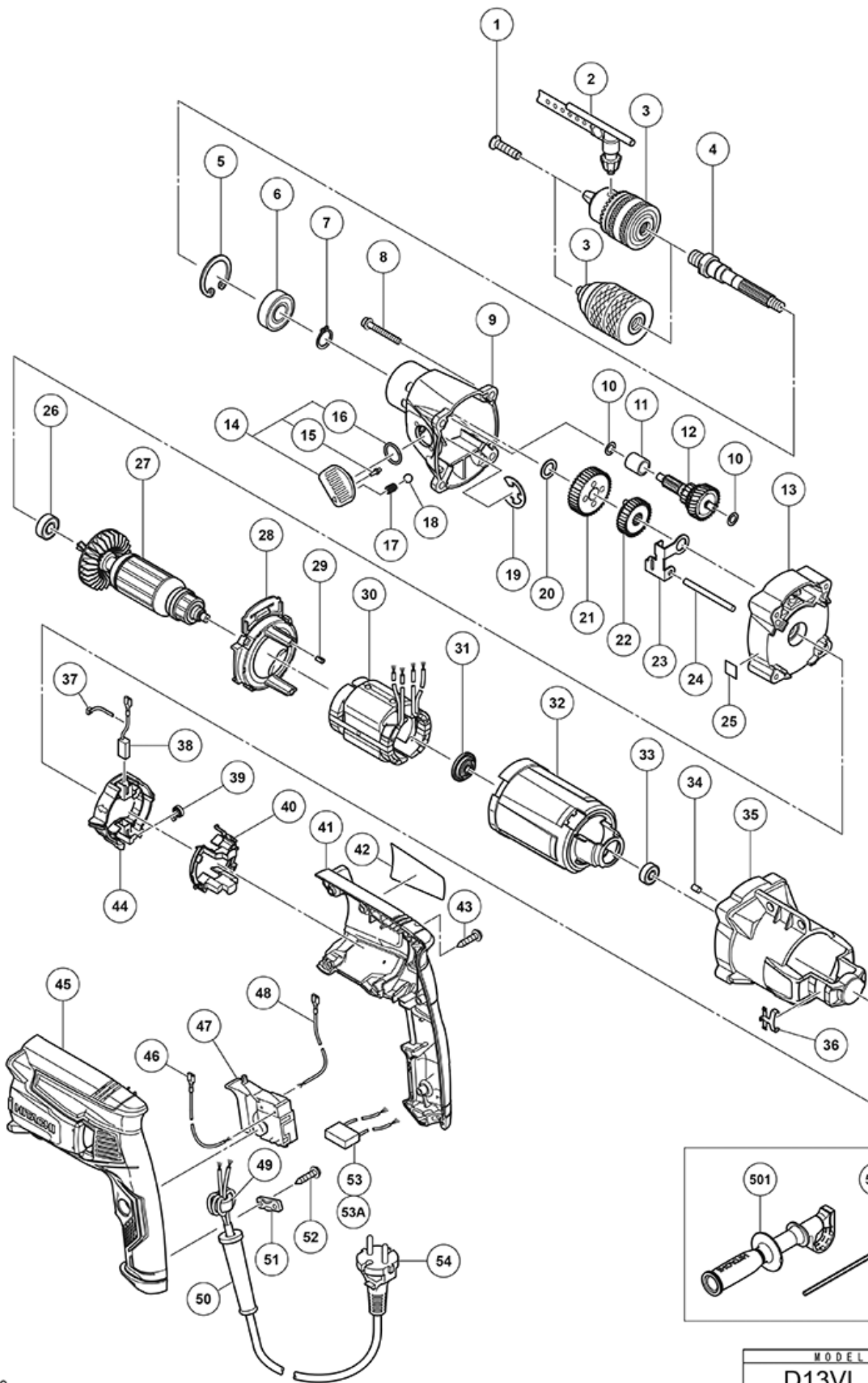


nÂ°	Artikel	Aantal gebruikt
*54	500461Z CORD 3M 2 X 1,0 H05VV-F W/PLUG 16A CEE FORM 2P+E FOR GBR	1
*50	938051 CORD ARMOR D10.1	1
*50	953327 CORD ARMOR D8.8	1
*54	323974 CORD	1
*54	500468Z CORD	1
*54	500439Z CORD FOR AUS (OLD 500226Z/500411Z)	1
*3	321814 DRILL CHUCK 13VLRB-D	1
*54	500435Z CORD 2,5M 2 X 1.0 H05VV-F W/PLUG 13A/250V GBR	1
*30	340906E STATOR 230 VOLT NEW	1
*54	500409Z CORD	1
*30	340906B STATOR 110V	1
*27	361003E ARMATURE 230 VOLT NEW	1
*3	319546 DRILL CHUCK 13VLR-N (W/O CHUCK WRENCH)	1
*27	361003B ARMATURE 110V	1
*27	361003D ARMATURE 220V	1
*27	361003F ARMATURE 240V	1
*30	340906D STATOR 220V	1
*30	340906F STATOR 240V	1
1	995344 FLAT HD.SCREW M6X25 (A) (LEFT HAND) (NEW 744087)	1
2	987576 CHUCK WRENCH FOR 13VLB-D,13VLR-D	1
4	339139 SPINDLE NEW	1
5	939556 RETAINING RING FOR D35 HOLE (10 PCS)	1
6	6202DD BALL BEARING 6202DDUCMPS2S (OLD 956937)	1
7	939544 RETAINING RING FOR D15 SHAFT (10 PCS)	1
8	338764 HEX.SOCKET HD.BOLT M5X45 (W/FLANGE) NEW	4
9	339137 GEAR COVER (A) NEW	1
10	322852 WASHER (B)	2
11	338744 DISTANCE PIECE NEW	1
12	338743 SECOND PINION (A) NEW	1
13	339276 INNER COVER (A) NEW	1
14	338737 SHIFT LEVER ASS'Y NEW	1
15	322848 SHIFT PIN	1
16	878885 O-RING (S-18)	1
17	981328 SPRING (H)	1
18	335299 STEEL BALL D3.5 (10 PCS)	1
19	323048 RETAINING RING (E-TYPE) FOR D15 SHAFT	1
20	322799 WASHER (C)	1
21	338740 LOW SPEED GEAR NEW	1

nÂ°	Artikel	Aantal gebruikt
22	338741 HIGH SPEED GEAR NEW	1
23	338742 SHIFT ARM NEW	1
24	984104 PIN D5 (OLD 984104Z)	1
25	LABEL (SLIP CLUTCH)	1
26	608DDM BALL BEARING 608DDMC2EPS2S	1
28	338766 FAN GUIDE (B) NEW	1
29	338755 RUBBER BUSH NEW	2
31	338751 DUST SEAL NEW	1
32	338750 STATOR HOLDER NEW	1
33	607VVC BALL BEARING 607VVC2PS2L	1
34	931701 BEARING LOCK	1
35	338749 HOUSING (B) NEW	1
36	338761 CLICK PLATE NEW	2
37	331759 BAND	2
38	999088 CARBON BRUSH	2
39	339292 SPRING NEW	2
40	338760 BRUSH COVER NEW	1
41	338753 HANDLE COVER (B) NEW	1
42	NAME PLATE	1
43	301653 TAPPING SCREW (W/FLANGE) D4X20 (BLACK)	7
44	338759 BRUSH HOLDER NEW	1
45	338752 HANDLE COVER (A) NEW	1
46	338758 INTERNAL WIRE L100 NEW	1
47	338756 SWITCH NEW	1
48	338757 INTERNAL WIRE L180 NEW	1
49	334379 FERRITE CORE	1
51	937631 CORD CLIP	1
52	984750 TAPPING SCREW (W/FLANGE) D4X16	2
53	997174 NOISE SUPPRESSOR NEW	1
53A	930039 NOISE SUPPRESSOR	1
501	338768 SIDE HANDLE NEW	1
502	303709 DEPTH GAUGE	1



MODEL
D13VL