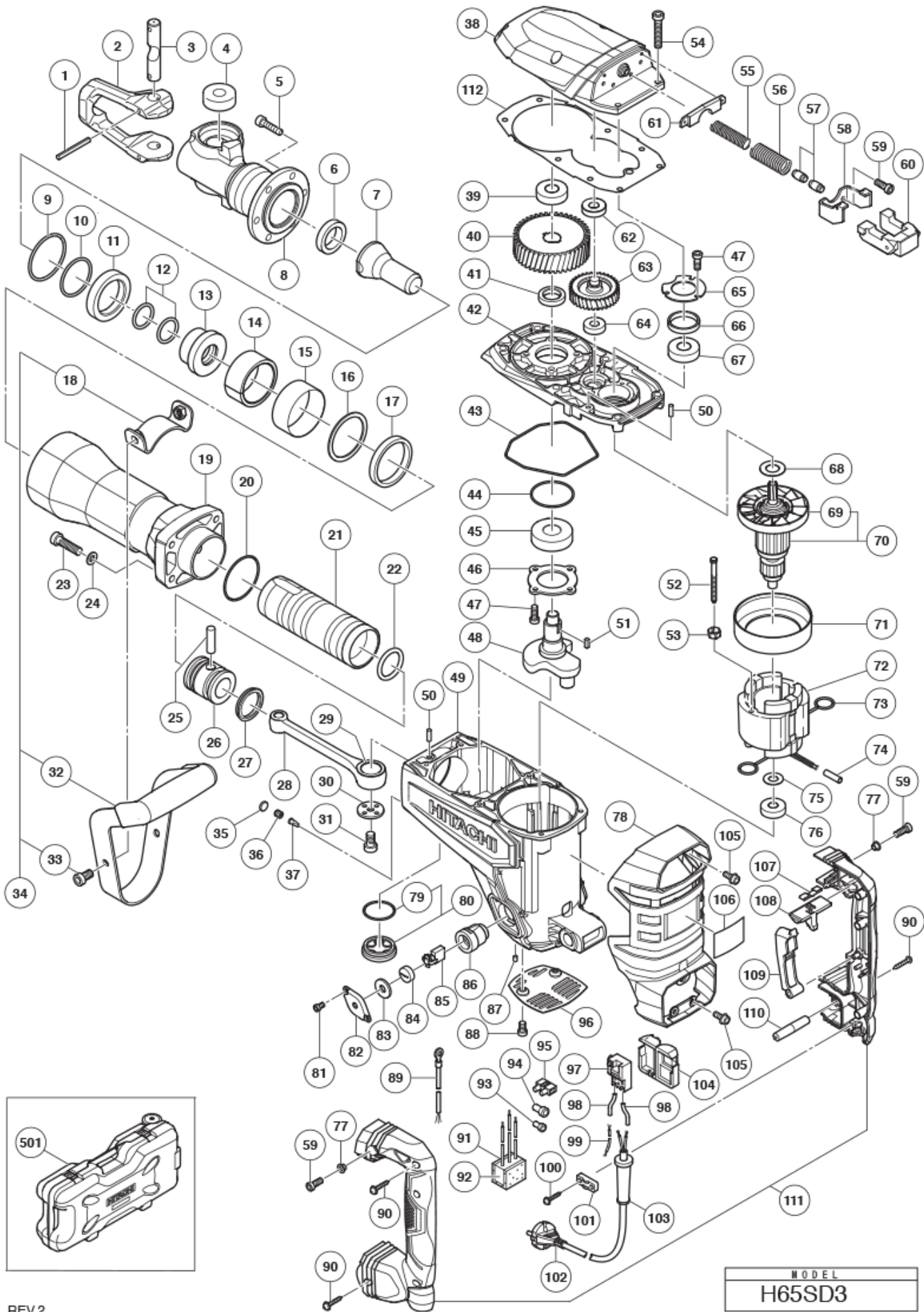


| nÂ° | Artikel | Aantal gebruikt |
|------|--|-----------------|
| *102 | 500453Z CORD | 1 |
| *102 | 500390Z CORD 5M 2 X 1.5 FOR HOL (NEW 714520) | 1 |
| *99 | 337054 INTERNAL WIRE WHITE NEW | 1 |
| *99 | 337055 INTERNAL WIRE BLACK NEW | 1 |
| *102 | 500467Z CORD FOR GBR 110 VOLT | 1 |
| | OPTIONAL ACCESSORIES | 0 |
| *103 | 958049 CORD ARMOR D8.2 (OLD 958049Z) | 1 |
| *103 | 940778 CORD ARMOR D10.7 | 1 |
| *102 | 500487Z CORD | 1 |
| *72 | 340928D STATOR ASS'Y 127V | 1 |
| *102 | 500446Z CORD FOR GBR 230V | 1 |
| *70 | 361024E ARMATURE ASS'Y 220-230 VOLT NEW | 1 |
| *70 | 361024D ARMATURE ASS'Y 127V | 1 |
| | STANDARD ACCESSORIES | 0 |
| *72 | 340928E STATOR ASS'Y 220-230 VOLT NEW | 1 |
| *70 | 361024C ARMATURE ASS'Y 110 VOLT NEW | 1 |
| *72 | 340928C STATOR ASS'Y 110 VOLT NEW | 1 |
| *70 | 361024U ARMATURE ASS'Y 120V | 1 |
| *72 | 340928G STATOR ASS'Y 120V | 1 |
| *72 | 340928H STATOR ASS'Y 220V-230V | 1 |
| 1 | 994416 ROLL PIN D6X55 | 2 |
| 2 | 337040 RETAINER NEW | 1 |
| 3 | 337041 LEVER PIN NEW | 1 |
| 4 | 337039 RETAINER DAMPER (A) NEW APR | 2 |
| 5 | 306437 NYLOCK HEX. SOCKET HD.BOLT M8X30 | 6 |
| 6 | 996369 DAMPER (B) | 1 |
| 7 | 339702 SECOND HAMMER NEW | 1 |
| 8 | 339701 FRONT COVER NEW | 1 |
| 9 | 998428 O-RING (C) | 1 |
| 10 | 339684 O-RING (B) NEW | 1 |
| 11 | 998433 DAMPER (A) | 1 |
| 12 | 339681 O-RING NEW | 2 |
| 13 | 339680 SHANK SLEEVE NEW | 1 |
| 14 | 339679 MOUTH NEW | 1 |
| 15 | 956962 MOUTH COVER | 1 |
| 16 | 370894 MOUTH WASHER (A) NEW | 1 |
| 17 | 370893 URETHANE RING (A) NEW | 1 |
| 18 | 320374 HANDLE STAY (W/NUT) (OLD 944948) | 1 |

| nÂ° | Artikel | Aantal gebruikt |
|-----|---|-----------------|
| 19 | 339678 CYLINDER CASE NEW | 1 |
| 20 | 956996 O-RING (1AS-60) | 1 |
| 21 | 339677 STRIKER NEW | 1 |
| 22 | 998414 O-RING (A) | 1 |
| 23 | 323734 NYLOCK BOLT M8X40 W/FLANGE | 4 |
| 24 | 323212 BOLT WASHER M8 (BLACK) | 4 |
| 25 | 944928 PISTON PIN | 1 |
| 26 | 339676 PISTON NEW | 1 |
| 27 | 998415 OIL SEAL (A) | 1 |
| 28 | 998434 CONNECTING ROD ASS'Y (OLD 956953) | 1 |
| 29 | 944921 NEEDLE BEARING NTN 8E-NK18/20 RDO | 1 |
| 30 | 956955 CRANK WASHER | 1 |
| 31 | 996364 SEAL LOCK HEX. SOCKET HD. BOLT M8X16 | 1 |
| 32 | 306166 GRIP | 1 |
| 33 | 320375 NYLOCK HEX. SOCKET HD.BOLT M8X16 | 2 |
| 34 | 306165 SIDE HANDLE ASS'Y | 1 |
| 35 | 324544 FELT PACKING (B) | 1 |
| 36 | 338313 CAP SCREW NEW | 1 |
| 37 | 995396 VALVE | 1 |
| 38 | 339674 GEAR COVER NEW | 1 |
| 39 | 6302VV BALL BEARING 6302VVCMP2S | 1 |
| 40 | 339672 FINAL GEAR NEW | 1 |
| 41 | 944915 DISTANCE RING (B) | 1 |
| 42 | 339669 INNER COVER NEW | 1 |
| 43 | 323725 SEAL RING | 1 |
| 44 | 331244 O-RING NEW AUG | 1 |
| 45 | 6205DD BALL BEARING 6205DDCMPS2L | 1 |
| 46 | 956949 BEARING COVER | 1 |
| 48 | 339671 CRANK SHAFT NEW | 1 |
| 49 | 339665 HOUSING ASS'Y NEW | 1 |
| 50 | 944918 PIN D5X15.8 | 2 |
| 51 | 931008 FEATHER KEY 4X4X12 | 1 |
| 52 | 960251 HEX.HD. TAPPING SCREW D5X65 | 2 |
| 53 | 956764 SPECIAL WASHER | 2 |
| 54 | 322494 SEAL LOCK HEX. SOCKET HD. BOLT M6X40 NEW | 6 |
| 55 | 339697 HANDLE SPRING (B) NEW | 1 |
| 56 | 339696 HANDLE SPRING (A) NEW | 1 |
| 57 | 310124 HANDLE DAMPER | 1 |

| nÂ° | Artikel | Aantal gebruikt |
|-----|---|-----------------|
| 58 | 339695 HANDLE GUIDE NEW | 1 |
| 59 | 990079 SEAL LOCK HEX. SOCKET HD. BOLT M5X16 | 7 |
| 60 | 339698 HANDLE WEIGHT NEW | 1 |
| 61 | 339694 HANDLE STOPPER NEW | 1 |
| 62 | 6201VV BALL BEARING 6201VVCMP2L | 1 |
| 63 | 339673 COUNTER GEAR NEW | 1 |
| 64 | 6001VV BALL BEARING 6001VV | 1 |
| 65 | 944911 BEARING COVER (A) | 1 |
| 66 | 339670 DISTANCE RING (A) NEW | 1 |
| 67 | 6203DD BALL BEARING 6203DDUCMAV2S | 1 |
| 68 | 333222 BEARING WASHER | 1 |
| 69 | 333196 FAN | 1 |
| 71 | 339668 FAN GUIDE NEW | 1 |
| 73 | 945932 BRUSH TERMINAL | 2 |
| 74 | 322530 VINYL TUBE L55 | 1 |
| 75 | 944954 BEARING WASHER | 1 |
| 76 | 6201DD BALL BEARING 6201DDUCMAV2S | 1 |
| 77 | 991711 DISTANCE PIECE (B) | 2 |
| 78 | 339692 BACK COVER NEW | 1 |
| 79 | 980717 O-RING (S-38) | 1 |
| 80 | 990945 OIL CAP ASS'Y (OLD 982646) | 1 |
| 81 | 877838 SEAL LOCK HEX. SOCKET HD. BOLT M4X8 | 4 |
| 82 | 323727 CAP COVER | 2 |
| 83 | 944960 CAP RUBBER | 2 |
| 84 | 940540 BRUSH CAP | 2 |
| 85 | 999086 CARBON BRUSH A.S. TYPE (1 PAIR) | 2 |
| 86 | 956984 BRUSH HOLDER (OLD 957001) | 2 |
| 87 | 938477 HEX.SOCKET SET SCREW M5X8 | 2 |
| 88 | 991690 SEAL LOCK HEX. SOCKET HD. BOLT M5X12 | 2 |
| 89 | 994190 INTERNAL WIRE | 1 |
| 90 | 307028 TAPPING SCREW (W/FLANGE) D4X25 (BLACK) | 5 |
| 91 | 930153 SUPPORT (B) | 1 |
| 92 | 370895 NOISE SUPPRESSOR NEW | 1 |
| 93 | 959140 CONNECTOR 50091 (10 PCS.) | 1 |
| 94 | 959141 CONNECTOR 50092 (10 PCS) (OLD 939558) | 1 |
| 95 | 938307 PILLAR TERMINAL | 1 |
| 96 | 339675 TAIL COVER NEW | 1 |
| 97 | 337051 SWITCH | 1 |

| nÂ° | Artikel | Aantal gebruikt |
|-----|---|-----------------|
| 98 | 996438 VINYL TUBE (A) I.D.7XTO.5X50 | 2 |
| 100 | 984750 TAPPING SCREW (W/FLANGE) D4X16 | 2 |
| 101 | 960266 CORD CLIP | 1 |
| 104 | 337052 SUPPORT NEW | 1 |
| 105 | 339693 NYLOCK BOLT M5 (W/FLANGE) NEW | 4 |
| 106 | NAME PLATE | 1 |
| 107 | 339691 LEAF SPRING NEW | 1 |
| 108 | 339690 PUSHING BUTTON NEW | 1 |
| 109 | 337058 SWITCH LEVER NEW JUL | 1 |
| 110 | 338175 HANDLE SHAFT NEW | 1 |
| 111 | 339699 HANDLE SET (A+B) NEW | 1 |
| 112 | 370913 SEAL PACKING NEW | 1 |
| 501 | 339664 PLASTIC CARRYING CASE NEW | 1 |
| 601 | 985231 COLD CHISEL 520MM (HEX. SHANK TYPE) | 1 |
| 602 | 985232 CUTTER W75X520MM (HEX. SHANK TYPE) | 1 |
| 603 | 985233 SCOOP 546L (HEX. SHANK TYPE) | 1 |
| 604 | 996372 BULL POINT 410MM (HEX. SHANK TYPE) | 1 |
| 605 | 996373 COLD CHISEL 410MM (HEX. SHANK TYPE) | 1 |
| 606 | 996374 CUTTER W75X410MM (HEX. SHANK TYPE) | 1 |
| 607 | 336375 WHEEL SET (NEW 337337) | 1 |
| 608 | 337337 WHEEL SHAFT SET | 1 |
| 609 | 337338 LATCH SET (2 PCS) | 2 |
| 610 | 402616 HAMMER TROLLEY | 1 |
| 611 | 980927 GREASE FOR IMPACT DRILL (FG-6A) (500G) | 1 |
| 612 | 981840 GREASE (FG-6A) (30G) | 1 |
| 613 | 308471 GREASE FOR HAMMER DRILL (70G) | 1 |



REV.2