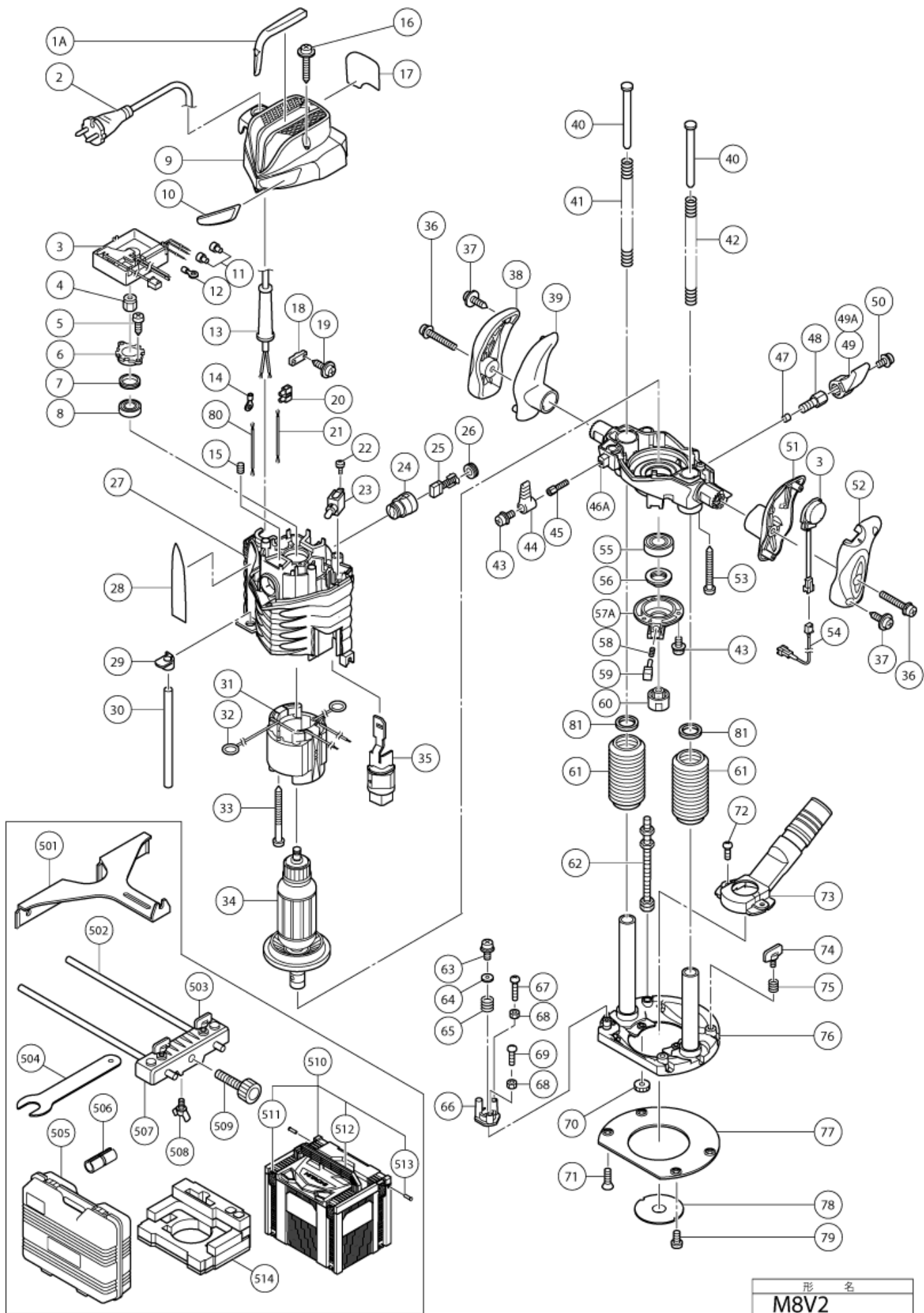


nÂ°	Artikel	Aantal gebruikt
1A	HITACHI LABEL (B) BLACK	1
2	500439Z CORD FOR AUS (OLD 500226Z/500411Z)	1
2	500435Z CORD 2,5M 2 X 1.0 H05VV-F W/PLUG 13A/250V GBR	1
2	500247Z CORD (NEW 714500)	1
2	500234Z CORD 5M 2 X 1.0 FOR INA,SUR,MLT H05VV-F (NEW 714500)	1
2	500241Z CORD	1
2	500237Z CORD 2,5M 2 X 1.0 W/O PLUG (OLD 500396Z,971517Z,971675Z)	1
3	326092 CONTROLLER PACKAGE 230-240 VOLT	1
3	326086 CONTROLLER PACKAGE 110-120 VOLT	1
4	307093 MAGNET BM25Y	1
5	954017 TAPPING SCREW D4X12	2
6	326079 BEARING BUSHING	1
7	323420 RUBBER RING	1
8	608VVM BALL BEARING 608VVC2PS2L	1
9	326085 HEAD COVER	1
10	HITACHI LABEL (A)	1
11	959140 CONNECTOR 50091 (10 PCS.)	2
12	930804 TERMINAL M4.0 (10 PCS.)	1
13	953327 CORD ARMOR D8.8	1
14	980063 TERMINAL	1
15	938477 HEX.SOCKET SET SCREW M5X8	2
16	307028 TAPPING SCREW (W/FLANGE) D4X25 (BLACK)	3
17	NAME PLATE	1
18	937631 CORD CLIP	1
19	984750 TAPPING SCREW (W/FLANGE) D4X16	2
20	958308Z PILLAR TERMINAL (A)	1
20	938307 PILLAR TERMINAL	1
21	326178 INTERNAL WIRE (WHITE)	1
21	326177 @ INTERNAL WIRE BLUE	1
21	326180 INTERNAL WIRE BLUE FOR GBR 110 VOLT NEW	1
22	307887 MACHINE SCREW (W/WASHER) M3.5X6	2
23	314603 SWITCH (1P SOLDER TYPE)	1
24	981586 BRUSH HOLDER	2
25	999043 CARBON BRUSH (1 PAIR)	2
26	961781 BRUSH CAP	2
27	326093 HOUSING ASS'Y	1
28	326094 SCALE (INCH)	1
28	326090 SCALE (MM)	1

nÂ°	Artikel	Aantal gebruikt
29	326084 MARKER	1
30	325196 STOPPER POLE	1
31	340675C STATOR ASS'Y 110-120 VOLT	1
31	340675F STATOR ASS'Y 240V	1
31	340675E STATOR ASS'Y 230 VOLT	1
32	930703 BRUSH TERMINAL	2
33	960251 HEX.HD. TAPPING SCREW D5X65	2
34	360773E ARMATURE 230-240 VOLT	1
34	360773U ARMATURE ASS'Y 110-120 VOLT	1
35	326083 LEVER	1
36	307443 SCREW M6X30 (BLACK)	2
37	305812 TAPPING SCREW (W/FLANGE) D4X16 (BLACK)	4
38	325220 HANDLE (LEFT) (B)	1
39	325171 HANDLE (LEFT) (A)	1
40	325180 SPRING GUIDE	2
41	303316 SPRING	1
42	303317 SPRING	1
43	935196 MACHINE SCREW (W/WASHERS) M4X12 (BLACK)	4
44	325174 LEVER (C)	1
45	325175 LOCK SCREW M6	1
46A	335498 END BRACKET (OLD 326088)	1
47	971848 LOCK PIECE	1
48	325187 LOCK SCREW	1
49	326042 LEVER (A)	1
49	323923 LEVER (A)	1
50	997314 MACHINE SCREW (OLD 303405)	1
51	325172 HANDLE (RIGHT) (A)	1
52	325962 HANDLE (RIGHT) (B)	1
53	307100 TAPPING SCREW D5X50	4
54	325202 CORD (A)	1
55	6004T1 BALL BEARING 6004TIXVV	1
56	325186 THRUST NUT	1
57A	325185 BEARING COVER (OLD 326082)	1
58	325183 LOCK SPRING	1
59	325182 PUSHING BUTTON	1
60	325212 COLLET CHUCK 8MM	1
60	323293 COLLET CHUCK 1/4"	1
61	325207 BELLOWS (A)	2

nÂ°	Artikel	Aantal gebruikt
62	302315 SCREW M8	1
63	317200 MACHINE SCREW M8X4 (W/WASHERS) (BLACK)	1
64	962569 WASHER (B) (OLD 976448)	1
66	326081 STOPPER BLOCK	1
67	302316 MACHINE SCREW M5X25 BLACK	1
68	302012 NUT M5 (BLACK)	2
69	302317 MACHINE SCREW M5X16 BLACK	1
71	992013 SEAL LOCK FLAT HD. SCREW M5X14	4
75	947859 LOCK SPRING (OLD 996224)	2
76	326089 BASE	1
77	326080 SUB BASE	1
78	956790 TEMPLATE GUIDE D18	1
79	949234 MACHINE SCREW M5X6 (10 PCS)	2
80	326179 INTERNAL WIRE BROWN	1
81	323426 FELT	2
501	956797 STRAIGHT GUIDE	1
502	971622 GUIDE BAR	2
503	301806 WING BOLT M6X15	2
504	323295 WRENCH 23MM	1
505	326095 CASE	1
506	971852 CHUCK SLEEVE 8X6	1
507	326091 BAR HOLDER	1
508	949394 WING BOLT M6X10 (10 PCS.)	1
509	956793 FEED SCREW	1
510	337528 CASE ASS'Y (STACKABLE)	1
511	336472 LATCH	4
512	336473 HANDLE	1
513	336474 HINGE	2
514	337763 BOTTOM CUSHION	1
601	997466 DUST COLLECTION ADAPTER SET	1
602	997467 KNOB NUT	2
603	949237 MACHINE SCREW M5X12 (10 PCS)	2
604	956794 TRIMMER GUIDE	1
605	318304 ADJUSTING KNOB SET	1
606	318350 SQUARE NUT	1
607	317300 SLEEVE	1
608	956046 @ WASHER (B)	1
609	971858 SPRING (A) (OLD 971858Z)	1

nÂ°	Artikel	Aantal gebruikt
610	956808 STRAIGHT BIT (TCT) D8X8	1
610	971878 STRAIGHT BIT (TCT) D1/4"X1/4"	1
611	956756 TEMPLATE GUIDE ADAPTER	1
612	323298 TEMPLATE GUIDE D7.9	1
613	323299 TEMPLATE GUIDE D9.5	1
614	323300 TEMPLATE GUIDE D11.1	1
615	323301 TEMPLATE GUIDE D12.7	1
616	323302 TEMPLATE GUIDE D15.9	1
617	323303 TEMPLATE GUIDE D19.1	1
618	323304 TEMPLATE GUIDE D20.2	1
619	303347 TEMPLATE GUIDE D9.5	1
620	303348 TEMPLATE GUIDE D10	1
621	303349 TEMPLATE GUIDE D11.1	1
622	303350 TEMPLATE GUIDE D12	1
623	303351 TEMPLATE GUIDE D12.7	1
624	303352 TEMPLATE GUIDE D14	1
625	303353 TEMPLATE GUIDE D16	1
626	303354 TEMPLATE GUIDE D24	1
627	303355 TEMPLATE GUIDE D40	1



形名
M8V2

Rev.6