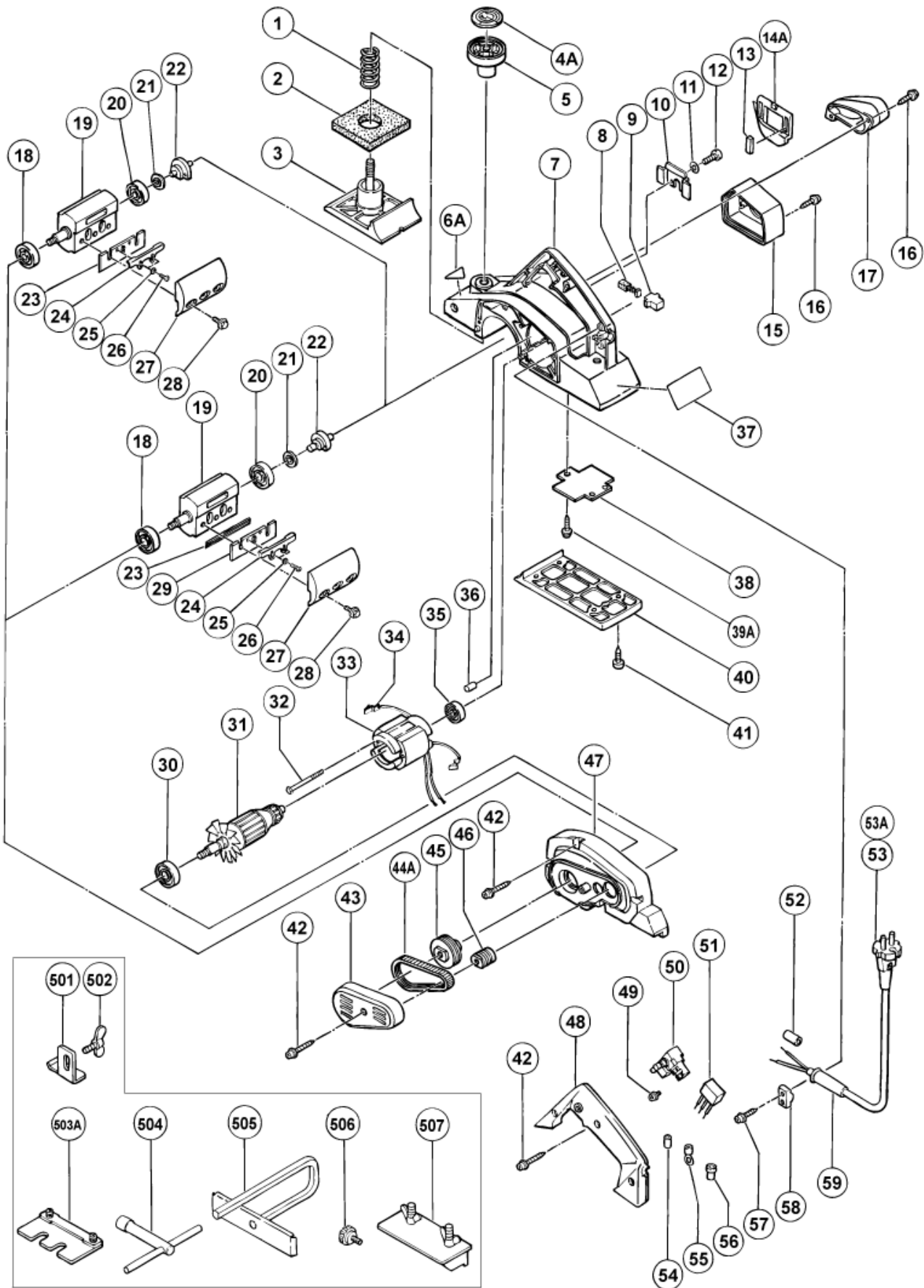


nÂ°	Artikel	Aantal gebruikt
	STANDARD ACCESSORIES	0
1	958709 SPRING	1
2	958708 RUBBER PACKING	1
3	958831Z FRONT BASE	1
4A	316417 SCALE	1
5	942328 KNOB	1
6A	HITACHI LABEL	1
7	990658 HOUSING ASS'Y	1
8	999041 CARBON BRUSH (1 PAIR)	2
9	955203 BRUSH HOLDER	2
10	958838Z COVER	1
11	949453 SPRING WASHER M4 (10 PCS)	2
12	949217 MACHINE SCREW M4X12 (10 PCS)	2
13	958839Z MAGNET	2
14A	335760 BLADE COVER (OLD 958837Z)	1
15	958835Z TAIL COVER	1
16	307811 TAPPING SCREW D4X16 (W/FLANGE) (BLACK) (OLD 930446)	4
17	958836Z CHIP GUIDE	1
18	6201VV BALL BEARING 6201VVCMP2L	1
19	316418 CUTTER BLOCK ASS'Y	1
20	629VVM BALL BEARING 629VVMC2EPS2L	1
21	958915 WASHER (A)	1
22	958824Z SHAFT (B)	1
23	314746 PLANER BLADES 82MM (1 PAIR)	2
23	879418 PLANER BLADES (1 PAIR)	2
24	314754 SET PLATE (A)	2
25	949423 WASHER M4 (10 PCS)	4
26	949213 MACHINE SCREW M4X5 (10 PCS)	4
27	958850Z BLADE HOLDER (1 PAIR)	2
28	990669 BOLT (W/WASHER) M6X18	6
29	314740 SET PLATE (B) (1 PAIR)	2
30	6200VV BALL BEARING 6200VVCMP2L	1
31	990652E ARMATURE 220-230 VOLT (OLD 990652F)	1
31	990652F ARMATURE ASS'Y 240 VOLT (NEW 990652E)	1
31	990652C ARMATURE 110 VOLT (OLD 990652J)	1
32	963712 HEX.HD. TAPPING SCREW D4X65	2
33	990651K @ STATOR ASS'Y 110 VOLT	1
33	990651H STATOR ASS'Y 240V	1

nÂ°	Artikel	Aantal gebruikt
33	990651E STATOR ASS'Y 220-230 VOLT (OLD 990651L)	1
33	990651J STATOR ASS'Y 220 VOLT	1
33	990651G STATOR ASS'Y 230V	1
34	941615 BRUSH TERMINAL (OLD 958857Z)	2
35	608VVM BALL BEARING 608VVC2PS2L	1
36	963227 BEARING LOCK (OLD 958845Z)	1
37	NAME PLATE	1
38	958844Z PLATE	1
40	958833Z REAR BASE	1
41	954004 TAPPING SCREW D4X16 (OLD 337992)	4
42	307028 TAPPING SCREW (W/FLANGE) D4X25 (BLACK)	8
43	958830Z BELT COVER	1
44A	317747 BELT (OLD 990662)	1
45	990661 PULLEY (B)	1
46	990660 PULLEY (A)	1
47	990659 END BRACKET	1
48	958854Z HANDLE COVER (OLD 958820Z)	1
49	305499 MACHINE SCREW (W/WASHER) M3,5X6	2
50	957747 SWITCH (A) (1P SCREW TYPE) W/LOCK	1
50	963756Z SWITCH (2P PILLAR TYPE) W/SAFETY LOCK	1
51	994273 NOISE SUPPRESSOR	1
53	500435Z CORD 2,5M 2 X 1.0 H05VV-F W/PLUG 13A/250V GBR	1
53A	500461Z CORD 3M 2 X 1,0 H05VV-F W/PLUG 16A CEE FORM 2P+E FOR GBR	1
53	500248Z CORD FOR SUI	1
53	500439Z CORD FOR AUS (OLD 500226Z/500411Z)	1
53	500212Z @ CORD	1
53	500247Z CORD (NEW 714500)	1
53	500234Z CORD 5M 2 X 1.0 FOR INA,SUR,MLT H05VV-F (NEW 714500)	1
54	981373 TUBE (D)	2
55	959144 TERMINAL 50051 (10 PCS)	1
56	959140 CONNECTOR 50091 (10 PCS.)	1
57	984750 TAPPING SCREW (W/FLANGE) D4X16	1
58	937631 CORD CLIP	1
59	303662 CORD ARMOR D8.8	1
501	958840Z DEPTH GUIDE	1
502	949395 WING BOLT M5X6 (10 PCS)	1
503A	316419 SET GAUGE	1
504	940543 BOX WRENCH 10MM	1

nÂ°	Artikel	Aantal gebruikt
505	958842Z GUIDE	1
506	940650 STOPPER SCREW M5X14	1
507	314767 BLADE SHARPENING (OLD 940653)	1



Rev.4

形名  
P20SA2