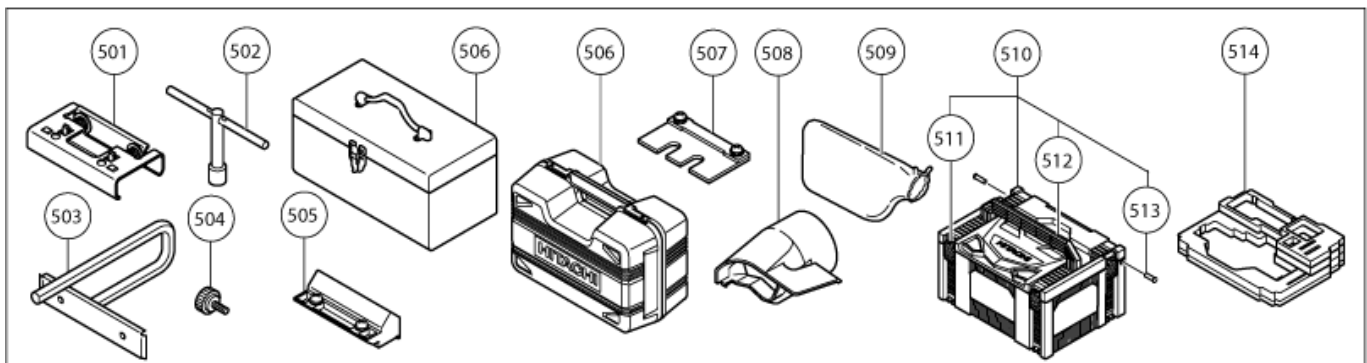
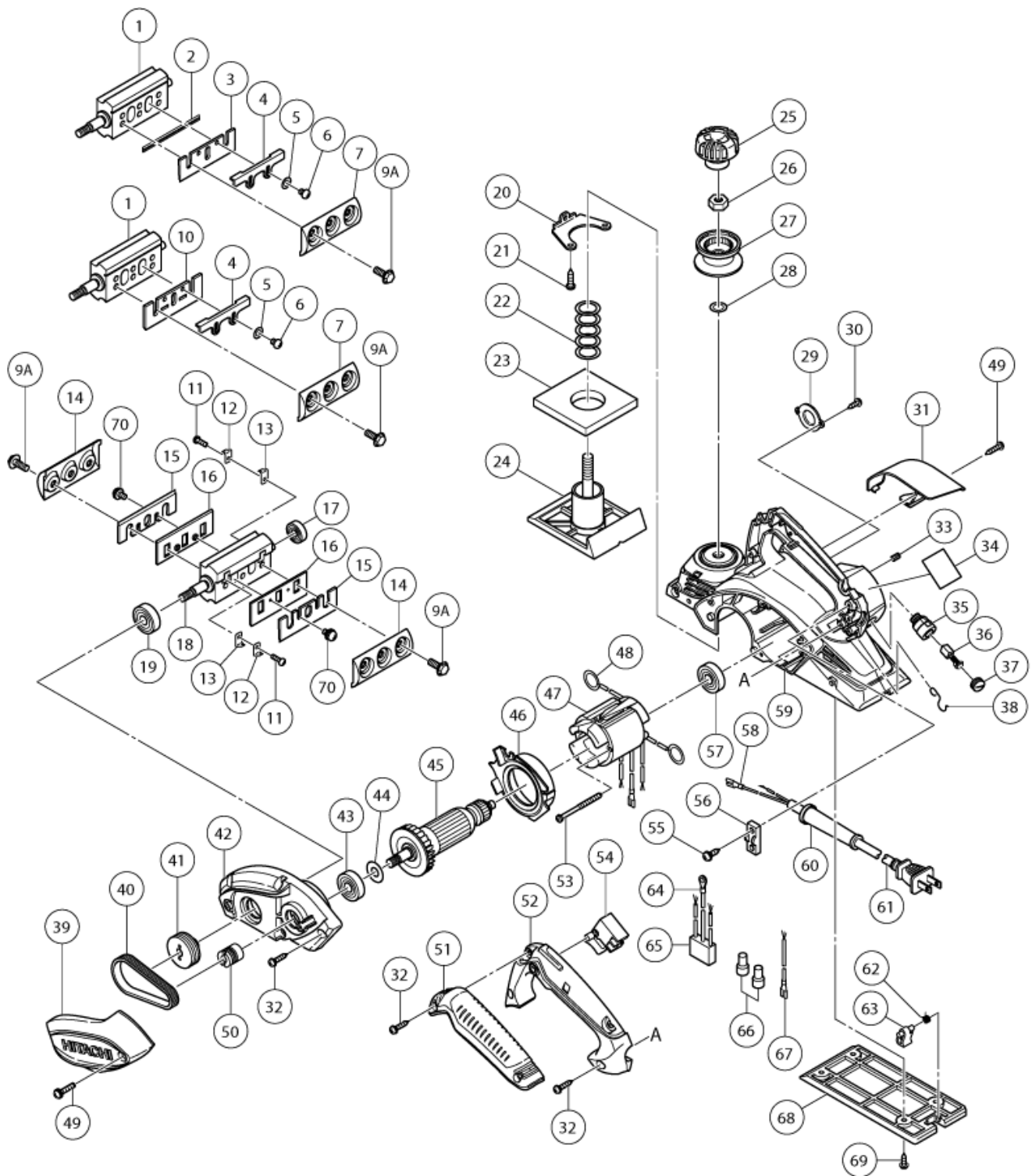


nÂ°	Artikel	Aantal gebruikt
1	334480 CUTTER BLOCK ASS'Y (W/B.B)	1
2	879418 PLANER BLADES (1 PAIR)	2
3	334478 SET PLATE (B) (1 PAIR)	2
4	314754 SET PLATE (A)	2
5	949423 WASHER M4 (10 PCS)	4
6	949213 MACHINE SCREW M4X5 (10 PCS)	4
7	316398 BLADE HOLDER	2
9A	336574 BOLT M6 NEW	6
10	314746 PLANER BLADES 82MM (1 PAIR)	2
11	949216 MACHINE SCREW M4X10 (10 PCS) (OLD 949216Z)	4
12	958731Z HOLDER SPRING (B)	4
13	958732Z GUARD PLATE (A)	4
14	958734Z BLADE HOLDER (1 PAIR)	2
15	958728 PLANER BLADES 82MM (1 PAIR)	2
16	958733Z BACK METAL	2
18	334481 CUTTER BLOCK ASS'Y (W/B.B)	1
20	958945 SCREW PLATE	1
21	954004 TAPPING SCREW D4X16 (OLD 337992)	1
22	958709 SPRING	1
23	958708 RUBBER PACKING	1
24	334739 FRONT BASE	1
25	334494 KNOB (A)	1
26	334497 LOCK NUT M10	1
27	334488 KNOB (B)	1
27	334489 KNOB (B)	1
28	301659 WASHER (B)	1
29	334492 BEARING COVER	1
30	309470 TAPPING SCREW D4X12 (W/FLANGE) (DISCON)	2
31	334501 TIP COVER	1
32	301653 TAPPING SCREW (W/FLANGE) D4X20 (BLACK)	8
33	938477 HEX.SOCKET SET SCREW M5X8	2
34	NAME PLATE	1
35	957571 BRUSH HOLDER	2
36	999021 CARBON BRUSH (1 PAIR)	2
37	931266 BRUSH CAP	2
38	334498 CORD HOLDER	0
38	334736 CORD HOLDER NEW	1
39	334487 BELT COVER	1

nÂ°	Artikel	Aantal gebruikt
40	958718 BELT	1
41	334491 PULLEY (B)	1
42	334486 END BRACKET	1
43	6200VV BALL BEARING 6200VVCMP2L	1
44	334713 WASHER (A)	1
45	360936D ARMATURE 127V	1
45	360936U ARMATURE ASS'Y 110V-120V	1
45	360936H ARMATURE 110 VOLT	1
45	360936E ARMATURE 220-230 VOLT	1
45	360936F ARMATURE 240V	1
45	360936G ARMATURE 220V	1
46	334493 FAN GUIDE	1
47	340835C STATOR ASS'Y 110V-120V	1
47	340835D STATOR ASS'Y 127V	1
47	340834F STATOR ASS'Y 240V	1
47	340834C STATOR ASS'Y 110 VOLT	1
47	340835E STATOR ASS'Y 220V-230V	1
47	340834E STATOR ASS'Y 220-230 VOLT	1
47	340835F STATOR ASS'Y 240V	1
48	931867 BRUSH TERMINAL	2
49	333163 MACHINE SCREW M4X16 BLACK	3
50	334490 PULLEY (A)	1
51	334485 GRIP COVER	1
52	334484 HANDLE COVER	1
53	960108 HEX.HD. TAPPING SCREW D4X60	2
54	334474 SWITCH W/OFF LOCK TYPE	1
54	322101 SWITCH W/ON LOCK TYPE	1
55	984750 TAPPING SCREW (W/FLANGE) D4X16	2
56	937631 CORD CLIP	1
57	608VVM BALL BEARING 608VVC2PS2L	1
58	331707 FASTON	1
59	334482 HOUSING ASS'Y	1
59	334883 TERMINAL SET NEW	1
60	953327 CORD ARMOR D8.8	1
61	500432Z CORD	1
61	500439Z CORD FOR AUS (OLD 500226Z/500411Z)	1
61	500234Z CORD 5M 2 X 1.0 FOR INA,SUR,MLT H05VV-F (NEW 714500)	1
61	500487Z CORD	1

nÂ°	Artikel	Aantal gebruikt
61	500470Z CORD	1
61	500409Z CORD	1
61	500231Z CORD 2,5M 2 X 0.75 H05VV-F W/O PLUG (NEW 500237Z)	1
61	500461Z CORD 3M 2 X 1,0 H05VV-F W/PLUG 16A CEE FORM 2P+E FOR GBR	1
61	500247Z CORD (NEW 714500)	1
61	500455Z CORD	1
61	500435Z CORD 2,5M 2 X 1.0 H05VV-F W/PLUG 13A/250V GBR	1
61	500447Z CORD 2,5M 2 X 1.0 H05VV-F (OLD 500395Z)	1
62	334500 SPRING	1
63	334499 STAND	1
64	961419Z TERMINAL	1
65	994273 NOISE SUPPRESSOR	1
66	959140 CONNECTOR 50091 (10 PCS.)	1
66	959141 CONNECTOR 50092 (10 PCS) (OLD 939558)	2
67	331269 LEAD WIRE ASS'Y	1
68	334838 REAR BASE (OLD 334496)	1
69	307811 TAPPING SCREW D4X16 (W/FLANGE) (BLACK) (OLD 930446)	4
70	976815 MACHINE SCREW (W/WASHERS) M4X8	4
501	334693 SET GAUGE	1
502	940543 BOX WRENCH 10MM	1
503	958842Z GUIDE	1
504	940650 STOPPER SCREW M5X14	1
505	314767 BLADE SHARPENING (OLD 940653)	1
506	334735 CASE	1
506	334475 CASE	1
507	316419 SET GAUGE	1
510	337108 CASE ASS'Y (STACKABLE)	1
511	336472 LATCH	4
512	336473 HANDLE	1
513	336474 HINGE	2
514	337742 BOTTOM CASHION	1
601	334503 ELBOW	1
602	334502 DUST ADAPTER	1
603	322955 DUST BAG (BLACK)	1



Rev.4

形 名
P20SF